

Protection Cover PC 250

<https://www.schmalz.com/10.01.01.13090>



Part no.: 10.01.01.13090

Homepage > Vacuum Technology for Automation > Vacuum Components > Vacuum Suction Cups > Accessories Vacuum Suction Cups >

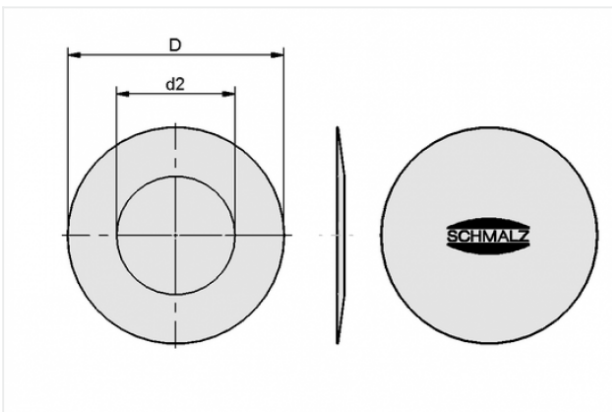
Protection Covers PC > PC 250

Cover for suction cup



Size: 250

Design Data



Attribute	Value
d2	125 mm
D	250 mm

Technical Data

Attribute	Value
Size	250
Weight	23.4 g

Contact to Schmalz

J. Schmalz GmbH | Johannes-Schmalz-Straße, 72293 Glatten, Deutschland | +49 7443 2403-102 | customercenter@schmalz.de

Note:

- Suction pad protection covers PC are designed for the use with suction pads and suction plates that are out of use. They cannot be used during handling.
