

Suction plate (round)

SPC 250 NBR-55 G1/2-IG

<https://www.schmalz.com/10.01.01.01189>



Part no.: 10.01.01.01189

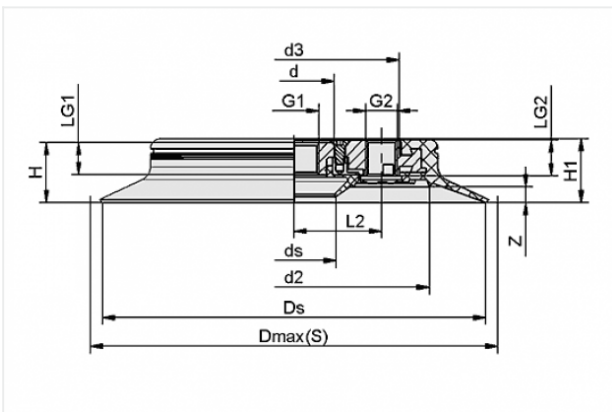
Homepage > Vacuum Technology for Automation > Vacuum Components > Vacuum Suction Cups > Suction Cups for Handling Wood > Suction Plates SPC > SPC 250 NBR-55 G1/2-IG

Suction plate (round) with separation function for porous workpieces



Size: 250
 Suction cup material:
 Nitrile rubber NBR
 Material hardness: 55 °Sh
 Vacuum connection: G1/2-F

Design Data



Attribute	Value
d	34 mm
d2	203 mm
d3	178 mm
ds	33.5 mm
Dmax(S)	252.5 mm
Ds	250 mm
G1	G1/2"-F
G2	G1/2"-F
H	25 mm
H1	26.5 mm
L2	76 mm
LG1	13.5 mm
LG2	15 mm

Contact to Schmalz

J. Schmalz GmbH | Johannes-Schmalz-Straße, 72293 Glatten, Deutschland | +49 7443 2403-102 | customercenter@schmalz.de

Attribute	Value
Z	7 mm

Technical Data

Attribute	Value
Suction force	2540 N
Volume	387.994 cm ³
Internal hose diameter (recom.)	12 mm
Size	250
Suction cup material	Nitrile rubber NBR
Material hardness	55 °Sh
Weight	1330 g
Number of folds	0
Product family	SPC

Note:

- Suction force: The specified suction forces are theoretical values at a vacuum of -0.6 bar and with a smooth, dry workpiece surface - they do not include a safety factor
- Pull-off force: The pull-off force of the versions made of natural rubber is reduced by about 40%
- Hose diameter: The recommended hose diameter refers to a hose length of approx. 2 m

Spare Parts

Contact to Schmalz



DR-SPC 33 HNBR-65

Part no. 10.01.01.11371

Sealing ring for suction plate SPC

Size: 33

Suction cup material:

Hydr. nitril rubber HNBR

Material hardness: 65 °Sh



DR-SPC 250 NBR-55

Part no. 10.01.01.01192

Sealing ring for suction plate SPC

Size: 250

Suction cup material:

Nitrile rubber NBR

Material hardness: 55 °Sh

Accessories



PC 250

Part no. 10.01.01.13090

Cover for suction cup

Size: 250