

Suction plate (round)

SPC 210 NBR-55 G1/2-IG

<https://www.schmalz.com/10.01.01.01187>



Part no.: 10.01.01.01187

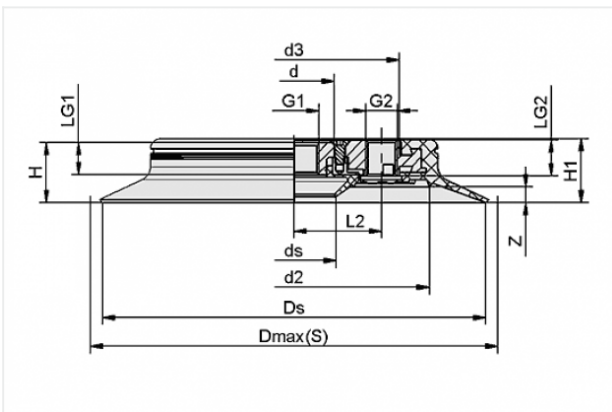
Homepage > Vacuum Technology for Automation > Vacuum Components > Vacuum Suction Cups > Suction Cups for Handling Wood > Suction Plates SPC > SPC 210 NBR-55 G1/2-IG

Suction plate (round) with separation function for porous workpieces



Size: 210
 Suction cup material:
 Nitrile rubber NBR
 Material hardness: 55 °Sh
 Vacuum connection: G1/2-F

Design Data



Attribute	Value
d	34 mm
d2	163 mm
d3	138 mm
ds	33.5 mm
Dmax(S)	215 mm
Ds	210 mm
G1	G1/2"-F
G2	G1/4"-F
H	23 mm
H1	24.5 mm
L2	36.5 mm
LG1	13.5 mm
LG2	15 mm

Contact to Schmalz

J. Schmalz GmbH | Johannes-Schmalz-Straße, 72293 Glatten, Deutschland | +49 7443 2403-102 | customercenter@schmalz.de

Attribute	Value
Z	5 mm

Technical Data

Attribute	Value
Suction force	1760 N
Volume	193.272 cm ³
Internal hose diameter (recom.)	12 mm
Size	210
Suction cup material	Nitrile rubber NBR
Material hardness	55 °Sh
Weight	900 g
Number of folds	0
Product family	SPC

Note:

- Suction force: The specified suction forces are theoretical values at a vacuum of -0.6 bar and with a smooth, dry workpiece surface - they do not include a safety factor
- Pull-off force: The pull-off force of the versions made of natural rubber is reduced by about 40%
- Hose diameter: The recommended hose diameter refers to a hose length of approx. 2 m

Spare Parts

Contact to Schmalz



DR-SPC 33 HNBR-65

Part no. 10.01.01.11371

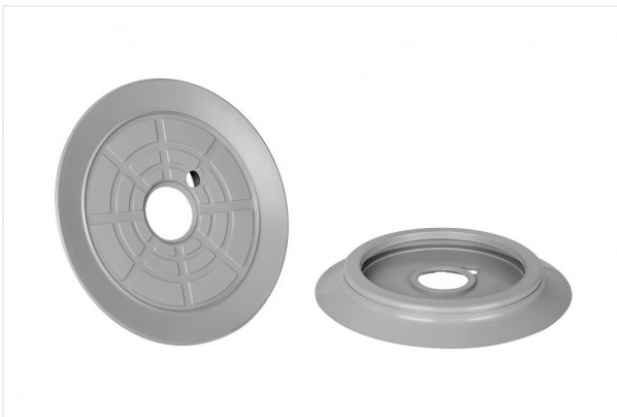
Sealing ring for suction plate SPC

Size: 33

Suction cup material:

Hydr. nitril rubber HNBR

Material hardness: 65 °Sh



DR-SPC 210 NBR-55

Part no. 10.01.01.01191

Sealing ring for suction plate SPC

Size: 210

Suction cup material:

Nitrile rubber NBR

Material hardness: 55 °Sh

Accessories



PC 200

Part no. 10.01.01.13089

Cover for suction cup

Size: 200