

# Suction plate (round)

## SHF 210 NK-45 G1/2-IG

<https://www.schmalz.com/10.01.01.11814>



Part no.: 10.01.01.11814

Homepage > Vacuum Technology for Automation > Vacuum Components > Vacuum Suction Cups > Flat Suction Cups (Round) > Suction Plates

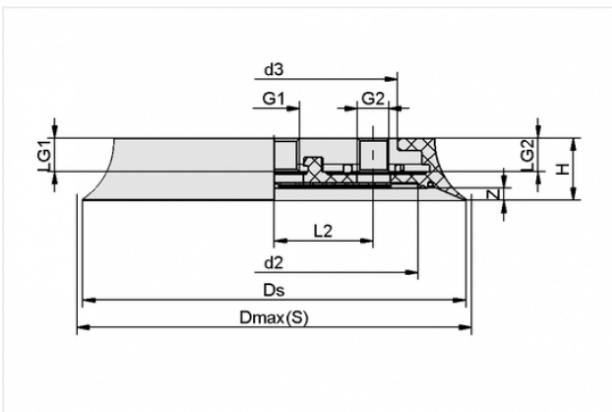
SHF > SHF 210 NK-45 G1/2-IG

### Flat suction cup (round) for highly dynamic handling of wood



Size: 210  
Suction cup material:  
Natural Rubber NK  
Material hardness: 45 °Sh  
Vacuum connection: G1/2-F

### Design Data



Attribute	Value
-----------	-------

d2	170 mm
----	--------

d3	134 mm
----	--------

Dmax(S)	218 mm
---------	--------

Ds	210 mm
----	--------

G1	G1/2"-F
----	---------

G2	G1/4"-F
----	---------

H	26 mm
---	-------

L2	52.8 mm
----	---------

LG1	14 mm
-----	-------

LG2	12.8 mm
-----	---------

Z	6 mm
---	------

### Contact to Schmalz

J. Schmalz GmbH | Johannes-Schmalz-Straße, 72293 Glatten, Deutschland | +49 7443 2403-102 | [customercenter@schmalz.de](mailto:customercenter@schmalz.de)

## Technical Data

Attribute	Value
Suction force	1770 N
Suction force d2	1160 N
Volume	223.8 cm <sup>3</sup>
Curve radius (min) (convex)	885 mm
Internal hose diameter (recom.)	12 mm
Size	210
Suction cup material	Natural Rubber NK
Material hardness	45 °Sh
Weight	1,120.5 g
Number of folds	0

### Note:

- Suction force: The specified suction forces are theoretical values at a vacuum of -0.6 bar and with a smooth, dry workpiece surface - they do not include a safety factor
- Pull-off force: The pull-off force of the versions made of natural rubber is reduced by about 40%
- Hose diameter: The recommended hose diameter refers to a hose length of approx. 2 m

## Accessories



### TV G1/4-AG 13

Part no. 10.05.10.00061

Touch valve for deactivation of unused suction cups or vacuum blocks

Thread G1: G1/4-M

Spring stroke Z: 13 mm

### Contact to Schmalz



**SIEB 27x1 MS-A2 100**

Part no. 10.07.01.00110

Screen

External diameter D: 27 mm

Length L: 1 mm

Material: Brass / Stainless steel

Filter pore size: 100 µm



**SIEB 19.5x1 MS 100**

Part no. 10.07.01.00215

Screen

External diameter D: 19.5 mm

Length L: 1 mm

Material: Brass

Filter pore size: 100 µm



**PC 200**

Part no. 10.01.01.13089

Cover for suction cup

Size: 200