

Suction plate (round)

SHF 160 NK-45 G1/2-IG

<https://www.schmalz.com/10.01.01.12025>



Part no.: 10.01.01.12025

Homepage > Vacuum Technology for Automation > Vacuum Components > Vacuum Suction Cups > Flat Suction Cups (Round) > Suction Plates

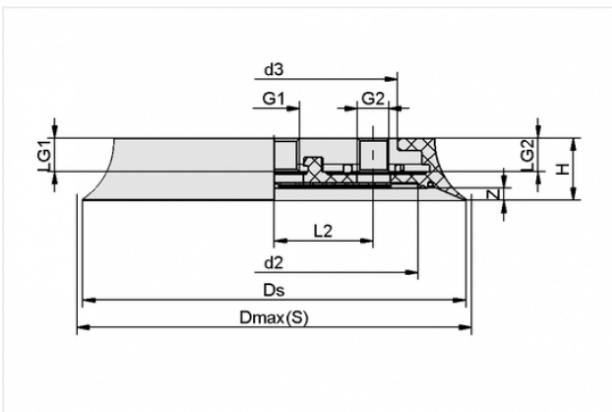
SHF > SHF 160 NK-45 G1/2-IG

Flat suction cup (round) for highly dynamic handling of wood



Size: 160
Suction cup material:
Natural Rubber NK
Material hardness: 45 °Sh
Vacuum connection: G1/2-F

Design Data



Attribute	Value
-----------	-------

d2	120 mm
----	--------

d3	103 mm
----	--------

Dmax(S)	168 mm
---------	--------

Ds	160 mm
----	--------

G1	G1/2"-F
----	---------

G2	G1/4"-F
----	---------

H	26 mm
---	-------

L2	41.35 mm
----	----------

LG1	14 mm
-----	-------

LG2	12.8 mm
-----	---------

Z	6 mm
---	------

Contact to Schmalz

J. Schmalz GmbH | Johannes-Schmalz-Straße, 72293 Glatten, Deutschland | +49 7443 2403-102 | customercenter@schmalz.de

Technical Data

Attribute	Value
Suction force	1025 N
Suction force d2	580 N
Volume	116.8 cm ³
Curve radius (min) (convex)	500 mm
Internal hose diameter (recom.)	12 mm
Size	160
Suction cup material	Natural Rubber NK
Material hardness	45 °Sh
Weight	577 g
Number of folds	0

Note:

- Suction force: The specified suction forces are theoretical values at a vacuum of -0.6 bar and with a smooth, dry workpiece surface - they do not include a safety factor
- Pull-off force: The pull-off force of the versions made of natural rubber is reduced by about 40%
- Hose diameter: The recommended hose diameter refers to a hose length of approx. 2 m

Spare Parts



DR-SHF 160 NK-45

Part no. 10.01.01.12023

Rubber Seal for SHF suction pad

Size: 160

Suction-pad material:

Natural Rubber NK

Material hardness: 45 °Sh

Contact to Schmalz

Accessories



TV G1/4-AG 13

Part no. 10.05.10.00061

Touch valve for deactivation of unused suction cups or vacuum blocks

Thread G1: G1/4-M

Spring stroke Z: 13 mm



SIEB 27x1 MS-A2 100

Part no. 10.07.01.00110

Screen

External diameter D: 27 mm

Length L: 1 mm

Material: Brass / Stainless steel

Filter pore size: 100 µm



SIEB 19.5x1 MS 100

Part no. 10.07.01.00215

Screen

External diameter D: 19.5 mm

Length L: 1 mm

Material: Brass

Filter pore size: 100 µm



PC 150

Part no. 10.01.01.13087

Cover for suction cup

Size: 150