

Suction plate (round)

SHF 125 NK-45 G1/4-IG

<https://www.schmalz.com/10.01.01.11788>



Part no.: 10.01.01.11788

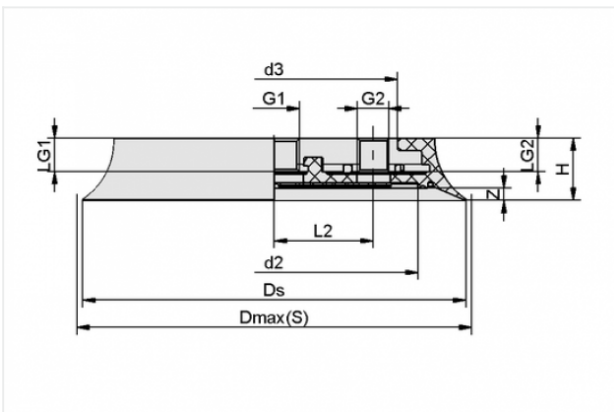
Homepage > Vacuum Technology for Automation > Vacuum Components > Vacuum Suction Cups > Suction Cups for Handling Wood > Suction Plates SHF > SHF 125 NK-45 G1/4-IG

Flat suction cup (round) for highly dynamic handling of wood



Size: 125
Suction cup material:
Natural Rubber NK
Material hardness: 45 °Sh
Vacuum connection: G1/4-F

Design Data



Attribute	Value
d2	85 mm
d3	70 mm
Dmax(S)	133 mm
Ds	125 mm
G1	G1/4"-F
G2	G1/4"-F
H	26 mm
L2	26.5 mm
LG1	14 mm
LG2	12.8 mm
Z	6 mm

Contact to Schmalz

J. Schmalz GmbH | Johannes-Schmalz-Straße, 72293 Glatten, Deutschland | +49 7443 2403-102 | customercenter@schmalz.de

Technical Data

Attribute	Value
Suction force	625 N
Suction force d2	290 N
Volume	69.9 cm ³
Curve radius (min) (convex)	305 mm
Internal hose diameter (recom.)	9 mm
Size	125
Suction cup material	Natural Rubber NK
Material hardness	45 °Sh
Weight	307 g
Number of folds	0

Note:

- Suction force: The specified suction forces are theoretical values at a vacuum of -0.6 bar and with a smooth, dry workpiece surface - they do not include a safety factor
- Pull-off force: The pull-off force of the versions made of natural rubber is reduced by about 40%
- Hose diameter: The recommended hose diameter refers to a hose length of approx. 2 m

Spare Parts



DR-SHF 125 NK-45

Part no. 10.01.01.11783

Rubber Seal for SHF suction cup

Size: 125

Suction cup material:

Natural Rubber NK

Material hardness: 45 °Sh

Contact to Schmalz

Accessories



TV G1/4-AG 13

Part no. 10.05.10.00061

Touch valve for deactivation of unused suction cups or vacuum blocks

Thread G1: G1/4-M

Spring stroke Z: 13 mm



SIEB 19.5x1 MS 100

Part no. 10.07.01.00215

Screen

External diameter D: 19.5 mm

Length L: 1 mm

Material: Brass

Filter pore size: 100 µm



PC 125

Part no. 10.01.01.13086

Cover for suction cup

Size: 125