

# Flat suction cup (round)

<https://www.schmalz.com/10.01.01.12215>



SHF 70 NK-45 M10x1.25-IG  
E MOS

Part no.: 10.01.01.12215

Homepage > Vacuum Technology for Automation > Vacuum Components > Vacuum Suction Cups > Suction Cups for Handling Wood > SHF 70

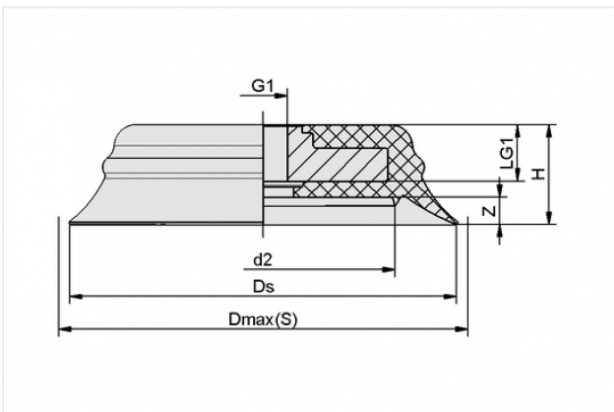
NK-45 M10x1.25-IG E MOS

## Flat suction cup (round) for highly dynamic handling of wood



Size: 70  
Suction cup material:  
Natural Rubber NK  
Connection thread: M10x1.25-F  
Material hardness: 45 °Sh  
Type: E  
Additional feature:  
Sealing lip with MOS

### Design Data



Attribute	Value
d2	36 mm
Dmax(S)	74 mm
Ds	70 mm
G1	M10x1.25-F
H	18.1 mm
LG1	10 mm
Z	4 mm

### Technical Data

Attribute	Value
Suction force	155 N

### Contact to Schmalz

J. Schmalz GmbH | Johannes-Schmalz-Straße, 72293 Glatten, Deutschland | +49 7443 2403-102 | [customercenter@schmalz.de](mailto:customercenter@schmalz.de)

Attribute	Value
Volume	12.9 cm <sup>3</sup>
Size	70
Suction cup material	Natural Rubber NK
Weight	55.4 g
Number of folds	0

## Spare Parts



### DR 46/36x5 S05 EPDM-15 KE

Part no. 10.01.06.01678

Gasket made from special foam for optimal sealing of structured surfaces

External diameter D: 46 mm

Internal diameter d: 36 mm

Height H: 5 mm

Material-Type: Foam S, Height 5 mm

Sealing material: EPDM

Material hardness: 15 °Sh

with: Tape on one side

## Accessories



### RED-NIP-S G1/4-AG M10x1.25-AG AL

Part no. 10.01.01.12194

Reduction nipple with hexagon

Thread G1: G1/4-M

Thread G2: M10x1.25-M

Length L: 8.3 mm

Material: Aluminium



**SA-NIP N009 G1/4-IG DN440**

Part no. 10.01.01.12192

Suction cup connection nipple

Nipple: N 009

Thread G1: G1/4-F

Overall length: 29.3 mm

Fitting length: 19.3 mm

Nominal size: 4,40 mm

Material: Aluminium



**TVN G1/4-AG 9 N009**

Part no. 10.05.10.00065

Connection nipple with integrated touch valve

Thread G1: G1/4-M

Thread G2: M10x1.25-M

Spring stroke Z: 9 mm

Nipple: N 009



**SIEB 14.5x1 MS-A2 0.103/0.15**

Part no. 10.05.03.00023

Screen

External diameter D: 14.5 mm

Length L: 1 mm

Material: Brass / Stainless steel

Mesh: 0.103 mm

Wire size: 0.15 mm