

# Flat suction cup (round)

<https://www.schmalz.com/10.01.01.12216>



## SHFN 70 NK-45 G1/4-IG E

Part no.: 10.01.01.12216

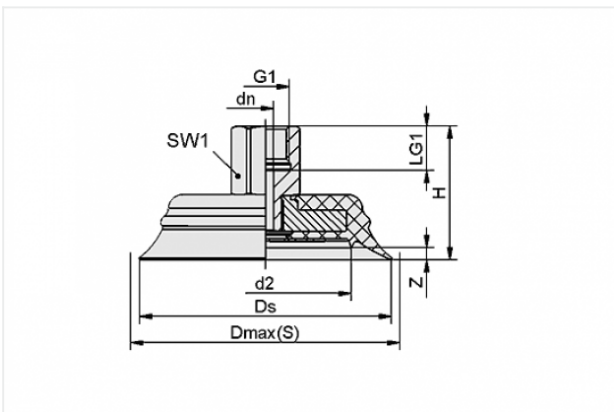
Homepage > Vacuum Technology for Automation > Vacuum Components > Vacuum Suction Cups > Flat Suction Cups (Round) > Flat Suction Cups  
SHFN > SHFN 70 NK-45 G1/4-IG E

### Flat suction cup (round) for highly dynamic handling of wood



Size: 70  
Suction cup material:  
Natural Rubber NK  
Material hardness: 45 °Sh  
Vacuum connection: G1/4-F  
Type: E

### Design Data



Attribute	Value
-----------	-------

dn	4.4 mm
----	--------

Dmax(S)	74 mm
---------	-------

Ds	70 mm
----	-------

G1	G1/4"-F
----	---------

H	37.2 mm
---	---------

LG1	12.4 mm
-----	---------

SW1	17 mm
-----	-------

Z	4 mm
---	------

d2	48 mm
----	-------

### Contact to Schmalz

J. Schmalz GmbH | Johannes-Schmalz-Straße, 72293 Glatten, Deutschland | +49 7443 2403-102 |  
customercenter@schmalz.de

## Technical Data

Attribute	Value
Size	70
Suction cup material	Natural Rubber NK
Suction force d2	100 N
Suction force	200 N
Lateral force	145 N
Volume	16 cm <sup>3</sup>
Curve radius (min) (convex)	95 mm
Internal hose diameter (recom.)	6 mm
Number of folds	0
Weight	62 g
Product family	SHFN

### Note:

- Suction force: The specified suction forces are theoretical values at a vacuum of -0.6 bar and with a smooth, dry workpiece surface - they do not include a safety factor
- Pull-off force: The pull-off force of the versions made of natural rubber is reduced by about 40%
- Hose diameter: The recommended hose diameter refers to a hose length of approx. 2 m

---

## Spare Parts

### Contact to Schmalz

**SA-NIP N009 G1/4-IG DN440**

Part no. 10.01.01.12192

Suction cup connection nipple

Nipple: N 009

Thread G1: G1/4-F

Overall length: 29.3 mm

Fitting length: 19.3 mm

Nominal size: 4,40 mm

Material: Aluminium

**SIEB 14.5x1 MS-A2 0.103/0.15**

Part no. 10.05.03.00023

Screen

External diameter D: 14.5 mm

Length L: 1 mm

Material: Brass / Stainless steel

Mesh: 0.103 mm

Wire size: 0.15 mm

**SHF 70 NK-45 M10x1.25-IG E**

Part no. 10.01.01.12165

Flat suction cup (round) for highly dynamic handling of wood

Size: 70

Suction cup material:

Natural Rubber NK

Connection thread: M10x1.25-F

Material hardness: 45 °Sh

Type: E

**Accessories****Contact to Schmalz**

J. Schmalz GmbH | Johannes-Schmalz-Straße, 72293 Glatten, Deutschland | +49 7443 2403-102 | [customercenter@schmalz.de](mailto:customercenter@schmalz.de)



**SIEB 14.5x1 MS-A2 0.103/0.15**

Part no. 10.05.03.00023

Screen

External diameter D: 14.5 mm

Length L: 1 mm

Material: Brass / Stainless steel

Mesh: 0.103 mm

Wire size: 0.15 mm