

Suction cup connection nipple

SA-NIP N009 G1/4-IG DN440

Part no.: 10.01.01.12192

<https://www.schmalz.com/10.01.01.12192>



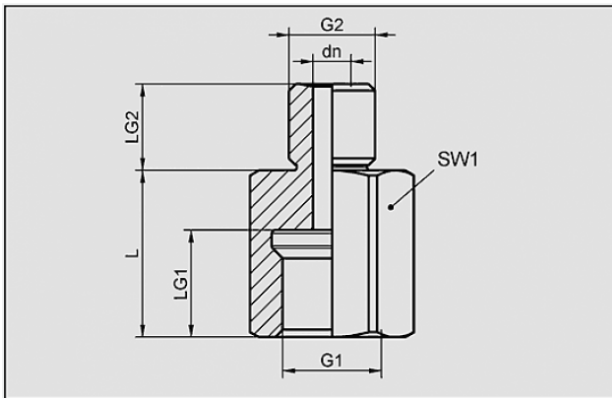
Homepage > Vacuum Technology for Automation > Vacuum Components > Vacuum Suction Cups > Suction Cups for Handling Wood > SA-NIP N009 G1/4-IG DN440

Suction cup connection nipple



Nipple: N 009
Thread G1: G1/4-F
Overall length: 29.3 mm
Fitting length: 19.3 mm
Nominal size: 4,40 mm
Material: Aluminium

Design Data



Attribute	Value
-----------	-------

dn	4.4 mm
----	--------

G1	G1/4"-F
----	---------

L	19.3 mm
---	---------

L1	29.3 mm
----	---------

L2	10 mm
----	-------

LG1	12 mm
-----	-------

SW1	17 mm
-----	-------

G2	M10-M
----	-------

Technical Data

Contact to Schmalz

J. Schmalz GmbH | Johannes-Schmalz-Straße, 72293 Glatten, Deutschland | +49 7443 2403-102 | customercenter@schmalz.de



Attribute	Value
Nipple	N 009
Material	Aluminium
Weight	9.9 g