

Flat suction cup (round)

<https://www.schmalz.com/10.01.01.12165>



SHF 70 NK-45 M10x1.25-IG E

Part no.: 10.01.01.12165

Homepage > Vacuum Technology for Automation > Vacuum Components > Vacuum Suction Cups > Suction Cups for Handling Wood > SHF 70

NK-45 M10x1.25-IG E

Flat suction cup (round) for highly dynamic handling of wood



Size: 70

Suction cup material:

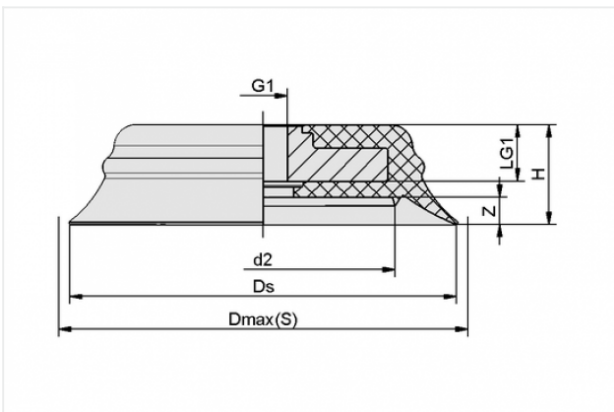
Natural Rubber NK

Connection thread: M10x1.25-F

Material hardness: 45 °Sh

Type: E

Design Data



Attribute	Value
d2	48 mm
Dmax(S)	74 mm
Ds	70 mm
G1	M10x1.25-F
H	18.1 mm
LG1	10 mm
Z	4 mm

Technical Data

Attribute	Value
Suction force	155 N

Contact to Schmalz

J. Schmalz GmbH | Johannes-Schmalz-Straße, 72293 Glatten, Deutschland | +49 7443 2403-102 | customercenter@schmalz.de

Attribute	Value
Volume	16.1 cm ³
Size	70
Suction cup material	Natural Rubber NK
Weight	52.5 g
Number of folds	0

Accessories



RED-NIP-S G1/4-AG M10x1.25-AG AL

Part no. 10.01.01.12194

Reduction nipple with hexagon

Thread G1: G1/4-M

Thread G2: M10x1.25-M

Length L: 8.3 mm

Material: Aluminium



SA-NIP N009 G1/4-IG DN440

Part no. 10.01.01.12192

Suction cup connection nipple

Nipple: N 009

Thread G1: G1/4-F

Overall length: 29.3 mm

Fitting length: 19.3 mm

Nominal size: 4,40 mm

Material: Aluminium



TVN G1/4-AG 9 N009

Part no. 10.05.10.00065

Connection nipple with integrated touch valve

Thread G1: G1/4-M

Thread G2: M10x1.25-M

Spring stroke Z: 9 mm

Nipple: N 009



SIEB 14.5x1 MS-A2 0.103/0.15

Part no. 10.05.03.00023

Screen

External diameter D: 14.5 mm

Length L: 1 mm

Material: Brass / Stainless steel

Mesh: 0.103 mm

Wire size: 0.15 mm