

Reduction nipple with hexagon

<https://www.schmalz.com/10.01.01.12194>



RED-NIP-S G1/4-AG M10x1.25-AG AL

Part no.: 10.01.01.12194

Homepage > Vacuum Technology for Automation > Vacuum Components > Vacuum Suction Cups > Suction Cups for Handling Wood > RED-NIP-S

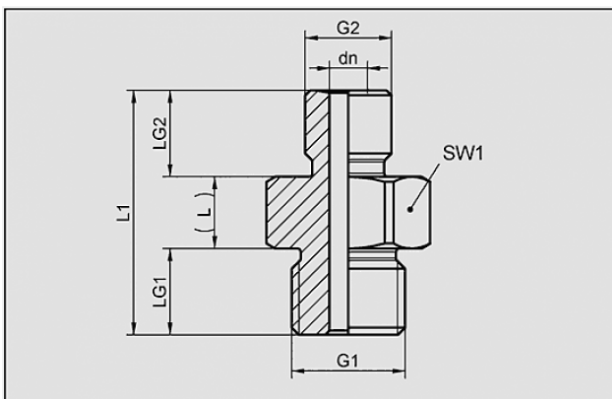
G1/4-AG M10x1.25-AG AL

Reduction nipple with hexagon



Thread G1: G1/4-M
Thread G2: M10x1.25-M
Length L: 8.3 mm
Material: Aluminium

Design Data



Attribute	Value
dn	4.4 mm
G1	G1/4"-M
L	8.3 mm
LG1	10 mm
SW1	17 mm
G2	M10x1.25-M

Technical Data

Attribute	Value
Weight	9.2 g

Contact to Schmalz

J. Schmalz GmbH | Johannes-Schmalz-Straße, 72293 Glatten, Deutschland | +49 7443 2403-102 | customercenter@schmalz.de

