

# Flat suction cup (round)

<https://www.schmalz.com/10.01.01.12197>



## SHFN 70 NK-45 G1/4-AG E

Part no.: 10.01.01.12197

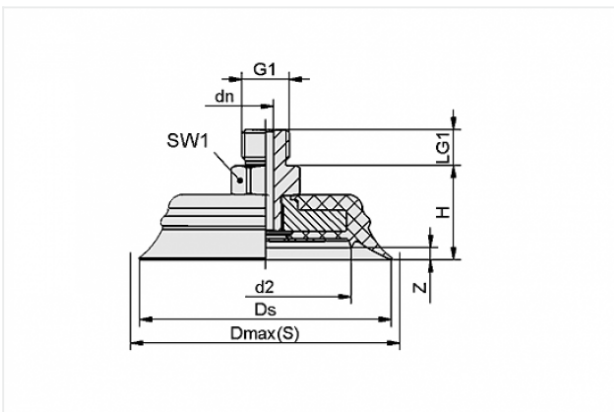
Homepage > Vacuum Technology for Automation > Vacuum Components > Vacuum Suction Cups > Flat Suction Cups (Round) > Flat Suction Cups  
SHFN > SHFN 70 NK-45 G1/4-AG E

### Flat suction cup (round) for highly dynamic handling of wood



Size: 70  
Suction cup material:  
Natural Rubber NK  
Material hardness: 45 °Sh  
Vacuum connection: G1/4-M  
Type: E

### Design Data



Attribute	Value
-----------	-------

dn	4.4 mm
Dmax(S)	74 mm
Ds	70 mm
G1	G1/4"-M
H	26.2 mm
LG1	10 mm
SW1	17 mm
Z	4 mm
d2	48 mm

### Contact to Schmalz

J. Schmalz GmbH | Johannes-Schmalz-Straße, 72293 Glatten, Deutschland | +49 7443 2403-102 |  
customercenter@schmalz.de

## Technical Data

Attribute	Value
Size	70
Suction cup material	Natural Rubber NK
Suction force d2	100 N
Suction force	200 N
Lateral force	145 N
Volume	16 cm <sup>3</sup>
Curve radius (min) (convex)	95 mm
Internal hose diameter (recom.)	6 mm
Number of folds	0
Weight	65 g
Product family	SHFN

### Note:

- Suction force: The specified suction forces are theoretical values at a vacuum of -0.6 bar and with a smooth, dry workpiece surface - they do not include a safety factor
- Pull-off force: The pull-off force of the versions made of natural rubber is reduced by about 40%
- Hose diameter: The recommended hose diameter refers to a hose length of approx. 2 m

## Spare Parts

### Contact to Schmalz



**RED-NIP-S G1/4-AG M10x1.25-AG AL**

Part no. 10.01.01.12194

Reduction nipple with hexagon

Thread G1: G1/4-M

Thread G2: M10x1.25-M

Length L: 8.3 mm

Material: Aluminium



**SIEB 14.5x1 MS-A2 0.103/0.15**

Part no. 10.05.03.00023

Screen

External diameter D: 14.5 mm

Length L: 1 mm

Material: Brass / Stainless steel

Mesh: 0.103 mm

Wire size: 0.15 mm



**SHF 70 NK-45 M10x1.25-IG E**

Part no. 10.01.01.12165

Flat suction cup (round) for highly dynamic handling of wood

Size: 70

Suction cup material:

Natural Rubber NK

Connection thread: M10x1.25-F

Material hardness: 45 °Sh

Type: E

## Accessories

### Contact to Schmalz

J. Schmalz GmbH | Johannes-Schmalz-Straße, 72293 Glatten, Deutschland | +49 7443 2403-102 |  
customercenter@schmalz.de



**SIEB 14.5x1 MS-A2 0.103/0.15**

Part no. 10.05.03.00023

Screen

External diameter D: 14.5 mm

Length L: 1 mm

Material: Brass / Stainless steel

Mesh: 0.103 mm

Wire size: 0.15 mm