

Flat suction cup (round)

<https://www.schmalz.com/10.01.01.11682>



SHF 70 NK-45 N041

Part no.: 10.01.01.11682

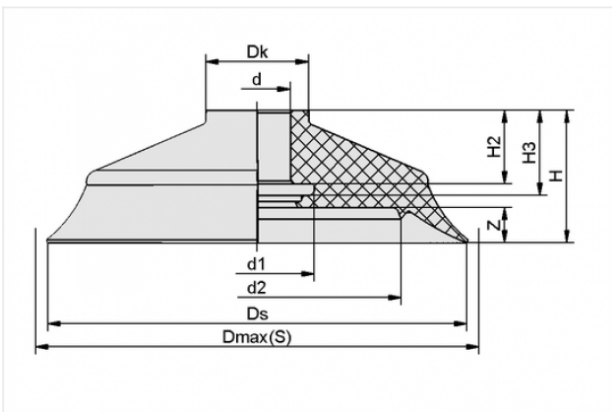
Homepage > Vacuum Technology for Automation > Vacuum Components > Vacuum Suction Cups > Suction Cups for Handling Wood > SHF 70 NK-45 N041

Flat suction cup (round) for highly dynamic handling of wood



Size: 70
Suction cup material:
Natural Rubber NK
Material hardness: 45 °Sh

Design Data



| Attribute | Value |
|-----------|-------|
|-----------|-------|

| | |
|---|--------|
| d | 7.5 mm |
|---|--------|

| | |
|----|-------|
| d1 | 17 mm |
|----|-------|

| | |
|----|-------|
| d2 | 48 mm |
|----|-------|

| | |
|----|-------|
| Dk | 17 mm |
|----|-------|

| | |
|---------|-------|
| Dmax(S) | 74 mm |
|---------|-------|

| | |
|----|-------|
| Ds | 70 mm |
|----|-------|

| | |
|---|---------|
| H | 22.2 mm |
|---|---------|

| | |
|----|---------|
| H2 | 12.8 mm |
|----|---------|

| | |
|----|---------|
| H3 | 14.3 mm |
|----|---------|

| | |
|---|------|
| Z | 4 mm |
|---|------|

Contact to Schmalz

J. Schmalz GmbH | Johannes-Schmalz-Straße, 72293 Glatten, Deutschland | +49 7443 2403-102 | customercenter@schmalz.de

Technical Data

| Attribute | Value |
|-----------------------------|------------------------|
| Suction force | 155 N |
| Lateral force | 145 N |
| Volume | 16.207 cm ³ |
| Curve radius (min) (convex) | 95 mm |
| Size | 70 |
| Nipple | N 041 |
| Suction cup material | Natural Rubber NK |
| Weight | 28.2 g |
| Number of folds | 0 |

Accessories



SA-NIP N041 G1/4-AG DN440

Part no. 10.01.01.11772

Suction cup connection nipple

Nipple: N 041

Thread G1: G1/4-M

Overall length: 29.3 mm

Fitting length: 4 mm

Nominal size: 4,40 mm

Material: Aluminium

Spanner size SW2: 5 mm



SA-NIP N041 G1/4-IG DN440

Part no. 10.01.01.11822

Suction cup connection nipple

Nipple: N 041

Thread G1: G1/4-F

Overall length: 29.3 mm

Fitting length: 15 mm

Nominal size: 4,40 mm

Material: Aluminium

Spanner size SW2: 5 mm



TVN G1/4-AG 8.4 N041

Part no. 10.05.10.00058

Connection nipple with integrated touch valve

Thread G1: G1/4-M

Spring stroke Z: 8.4 mm

Nipple: N 041



SIEB 15x0.8 MS-A2 0.103/0.07

Part no. 10.07.01.00211

Screen

External diameter D: 15 mm

Length L: 0.8 mm

Material: Brass / Stainless steel

Mesh: 0.103 mm

Wire size: 0.07 mm