

Flat suction cup (round)

<https://www.schmalz.com/10.01.01.11694>



SHFN 50 NK-45 G1/4-IG

Part no.: 10.01.01.11694

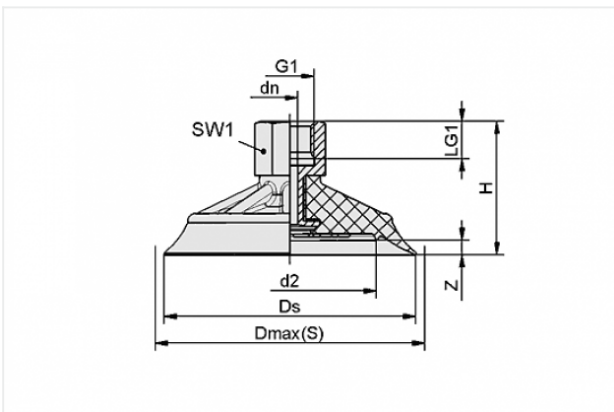
Homepage > Vacuum Technology for Automation > Vacuum Components > Vacuum Suction Cups > Suction Cups for Handling Wood > SHFN 50 NK-45 G1/4-IG

Flat suction cup (round) for highly dynamic handling of wood



Size: 50
Suction cup material:
Natural Rubber NK
Material hardness: 45 °Sh
Nipple material: Aluminium
Vacuum connection: G1/4-F

Design Data



| Attribute | Value |
|-----------|-------|
|-----------|-------|

| | |
|---------|---------|
| dn | 4.4 mm |
| Dmax(S) | 55 mm |
| Ds | 52 mm |
| G1 | G1/4"-F |
| H | 37.2 mm |
| LG1 | 11 mm |
| SW1 | 17 mm |
| Z | 3 mm |
| d2 | 30 mm |

Contact to Schmalz

J. Schmalz GmbH | Johannes-Schmalz-Straße, 72293 Glatten, Deutschland | +49 7443 2403-102 | customercenter@schmalz.de

Technical Data

| Attribute | Value |
|---------------------------------|---------------------|
| Size | 50 |
| Suction cup material | Natural Rubber NK |
| Suction force d2 | 40 N |
| Suction force | 110 N |
| Lateral force | 95 N |
| Volume | 7.3 cm ³ |
| Curve radius (min) (convex) | 41 mm |
| Internal hose diameter (recom.) | 4 mm |
| Number of folds | 0 |
| Weight | 19.1 g |
| Product family | SHFN |

Spare Parts



SA-NIP N041 G1/4-IG DN440

Part no. 10.01.01.11822

Suction cup connection nipple

Nipple: N 041

Thread G1: G1/4-F

Overall length: 29.3 mm

Fitting length: 15 mm

Nominal size: 4,40 mm

Material: Aluminium

Spanner size SW2: 5 mm



SIEB 15x0.8 MS-A2 0.103/0.07

Part no. 10.07.01.00211

Screen

External diameter D: 15 mm

Length L: 0.8 mm

Material: Brass / Stainless steel

Mesh: 0.103 mm

Wire size: 0.07 mm



SHF 50 NK-45 N041

Part no. 10.01.01.11687

Flat suction cup (round) for highly dynamic handling of wood

Size: 50

Suction cup material:

Natural Rubber NK

Material hardness: 45 °Sh

Accessories



SIEB 15x0.8 MS-A2 0.103/0.07

Part no. 10.07.01.00211

Screen

External diameter D: 15 mm

Length L: 0.8 mm

Material: Brass / Stainless steel

Mesh: 0.103 mm

Wire size: 0.07 mm