

# Touch valve

## TVN G1/4-AG 8.4 N041

Part no.: 10.05.10.00058

<https://www.schmalz.com/10.05.10.00058>



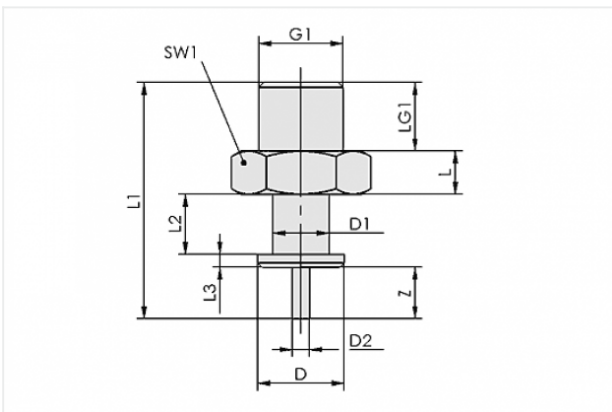
Homepage > Vacuum Technology for Automation > Vacuum Components > Valve Technology > Touch Valves > Touch Valves TV / TVN > TVN G1/4-AG 8.4 N041

### Connection nipple with integrated touch valve



Thread G1: G1/4-M  
Spring stroke Z: 8.4 mm  
Nipple: N 041

### Design Data



Attribute	Value
D	16.8 mm
D1	8.7 mm
G1	G1/4"-M
L	10 mm
L1	45.7 mm
L2	12.3 mm
L3	3 mm
LG1	11 mm
SW1	17 mm
Z	8.4 mm

### Contact to Schmalz

J. Schmalz GmbH | Johannes-Schmalz-Straße, 72293 Glatten, Deutschland | +49 7443 2403-102 | [customercenter@schmalz.de](mailto:customercenter@schmalz.de)



## Technical Data

Attribute	Value
Nominal flow rate	78 l/min
Weight	9.8 g

---

---

### Contact to Schmalz

J. Schmalz GmbH | Johannes-Schmalz-Straße, 72293 Glatten, Deutschland | +49 7443 2403-102 |  
customercenter@schmalz.de