

Suction cup connection nipple

SA-NIP N041 G1/4-AG DN440

<https://www.schmalz.com/10.01.01.11772>



Part no.: 10.01.01.11772

Homepage > Vacuum Technology for Automation > Vacuum Components > Vacuum Suction Cups > Suction Cups for Handling Wood > SA-NIP

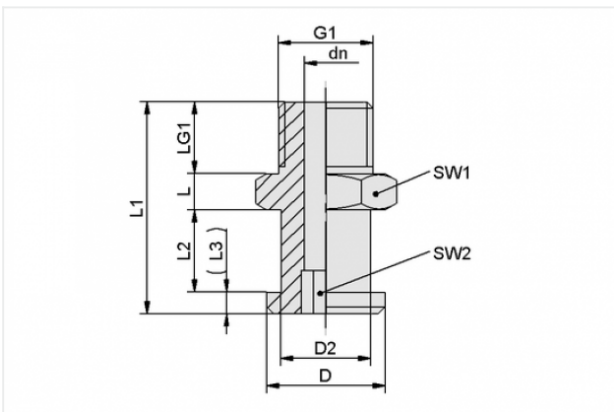
N041 G1/4-AG DN440

Suction cup connection nipple



Nipple: N 041
 Thread G1: G1/4-M
 Overall length: 29.3 mm
 Fitting length: 4 mm
 Nominal size: 4,40 mm
 Material: Aluminium
 Spanner size SW2: 5 mm

Design Data



Attribute	Value
dn	4.4 mm
D	16.8 mm
D2	8.7 mm
G1	G1/4"-M
L	4 mm
L1	29.3 mm
L2	12.3 mm
L3	2 mm
LG1	11 mm
SW1	17 mm
SW2	5 mm

Contact to Schmalz

J. Schmalz GmbH | Johannes-Schmalz-Straße, 72293 Glatten, Deutschland | +49 7443 2403-102 | customercenter@schmalz.de

Technical Data

Attribute	Value
Nipple	N 041
Material	Aluminium
Weight	8.1 g
