



lift to  
disengage



## Description

### Material:

Handle: Hard components reinforced plastic, toothed ring die-cast zinc.  
Soft components thermoplastic elastomer.  
Steel parts: grade 5.8.

### Version:

Steel parts blue-passivated.

### Note:

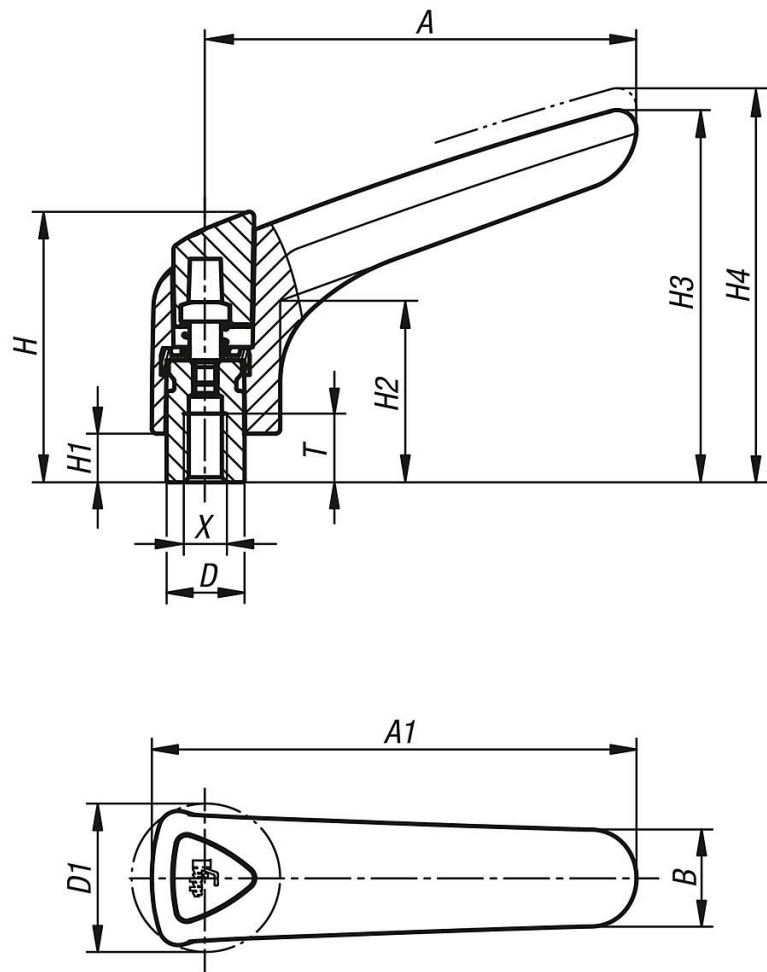
The colour combinations  
graphite black RAL 9011 (hard components) and  
black grey RAL 7021 (soft components)  
are supplied as standard.

The soft components ensure a non-slip grip of the operating part. The closed design offers sufficient protection against dirt. The design was especially developed for ergonomic gripping requirements.

The push button improves disengagement and allows the handle to be easily used.

### On request:

Other female threads, colours and special versions.  
Dimension "H1" available in other lengths at extra charge.



Overview of items

Order No.	X	T	D	D1	H	H1	H2	H3	H4	A	A1	B	No. of teeth
06580-3081	M8	14	16	30,5	55,6	10	37,3	76,5	81	88,5	99,5	20	22
06580-3101	M10	14	16	30,5	55,6	10	37,3	76,5	81	88,5	99,5	20	22