

Item description/product images



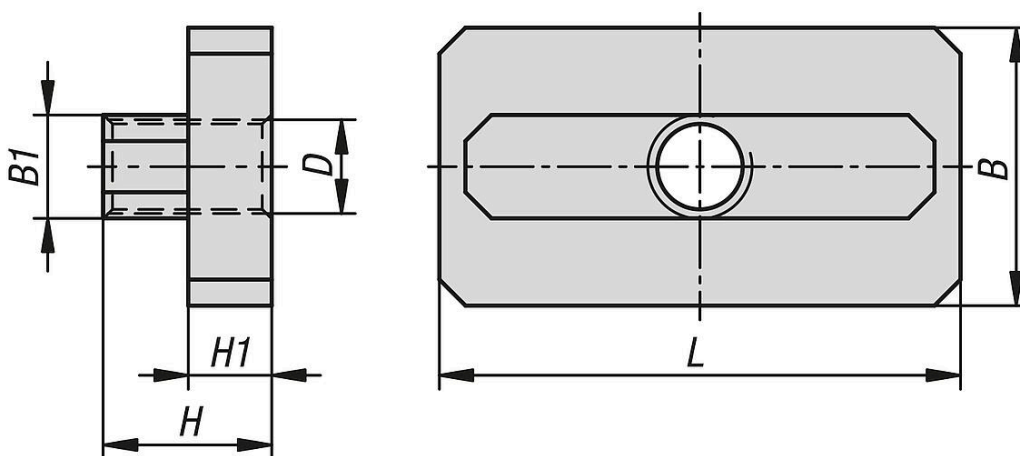
Description

Material:
Stainless steel

Version:
Bright.

Note:
Slot key with M6 internal thread suitable for aluminium baseplates with T-slots 6 (01041).

Drawings



Overview of items

T-slot nuts for aluminium baseplates with T-slots

Order No.	B	B1	D	H	H1	L	Slot width
07061-02-06	16	5,9	M6	9,7	4,8	30	6