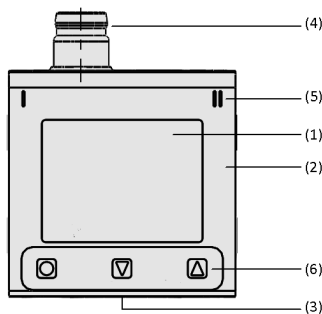


# Vacuum and Pressure Switches VS-V/VP-W-D

Measuring range from -1 bar to 10 bar



Vacuum and Pressure Switches VS-V/VP-W-D



System design Vacuum and Pressure Switches VS-V/VP-W-D



Vacuum and pressure switch VS-V/VP-W for measuring and monitoring on suction spider

## Suitability for industry specific applications

### Application

- Electronic vacuum and pressure switch with IO-Link interface for measuring and monitoring negative and positive pressure in automation and handling systems
- Installation of the sensor unit directly on the suction cup, especially in decentralized vacuum systems with high accelerations
- Input and output of process parameters via the control
- Installation of the switch in panels thanks to cubic design and mounting frame
- Mounting on wall or DIN rail with practical accessories
- Robust measuring cell for demanding environments with dust, dirt and moisture
- Version with IP65 and brass connectors for industrial use

### Design

- Switch with compact cube shape and 1 inch TFT display (1)
- Robust housing (2) made of fibreglass-reinforced plastic
- Vacuum / compressed air connection made of brass (3); can be connected either at the back or at the top
- Electric connection plug M8-4 pin (4)
- Operation and switching point display with clearly visible LEDs (5)
- Three buttons for operation and start of operations (6)

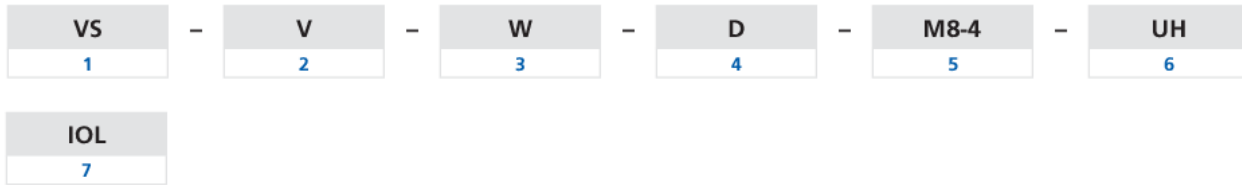
### Product highlights

- Electronic vacuum / pressure switch with TFT display and robust measuring cell for precise measurements and clear visualization, even under demanding conditions
- Transparent processes and minimized downtimes thanks to input and output of all relevant data via the IO-Link interface
- Thought through mounting concept reduces the need for adapters and saves time when installing or changing the switch
- Sturdy housing with degree of protection IP65, brass connectors and temperature range of 0 - 60 °C for continuous use in industrial environments

# Vacuum and Pressure Switches VS-V/VP-W-D

Measuring range from -1 bar to 10 bar

## Designation code Vacuum and Pressure Switches VS-V/VP-W-D



### 1 – Abbreviated designation

Code	Version
VS	VS

### 2 – Measuring range

Code	Measuring range in bar
V	-1.0 to 0.0 bar
VP10	-1.0 to 10.0 bar

### 3 – Shape

Code	Type
W	Cube shape

### 4 – Display

Code	Type
D	Digital display

### 5 – Electrical connection

Code	Connection
M8-4	Connector M8, 4-pole

### 6 – Shape

Code	Connection
UH	Connection at bottom, back

### 7 – Communication

Code	Type
IOL	IO-Link

The electronic vacuum and pressure switch VS-V/VP-W-D is delivered as a ready-to-connect product.

The assembly consists of: 2 machine screws M3x8mm for rear mounting.

Available accessories: panel holder, DIN rail holder, wall holder clip, connection cable

## Ordering data Vacuum and Pressure Switches VS-V/VP-W-D

Type	Part no.
VS-V-W-D M8-4 UH IOL	10.06.02.00861
VS-VP10-W-D M8-4 UH IOL	10.06.02.00862

## Ordering data Accessories Vacuum and Pressure Switches VS-V/VP-W-D

Accessories	Part no.
Panel holder	SET VS EIN V/VP10 W-D 10.06.02.00863
DIN rail holder	SET VS THR V/VP10 W-D 10.06.02.00864
Wall bracket clip	SET VS WB V/VP10 W-D 10.06.02.00865
Connection cable, M8 4-pole, 5 m, PUR, straight	ASK B-M8-4 5000 K-4P 10.06.02.00031
Connection cable, M8 4-pole, 5 m, PUR, 90°	ASK WB-M8-4 5000 K-4P 10.06.02.00032

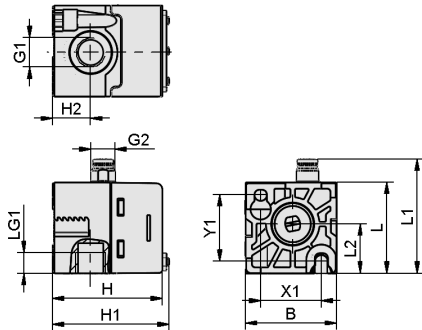
## Technical data Vacuum and Pressure Switches VS-V/VP-W-D

Type	Measured medium	Measuring range	Hysteresis	Inputs / outputs	Electrical connection	Voltage	Current consumption [mA]	Communication	Protection type IP	Operating temperature	Weight [g]
VS-V-W-D M8-4 UH IOL	"Non-aggressive gases	-1...0bar	Adjustable: 0 to 100% of set value	2 digital	Male connect M8, 4 pole	18-30V-DC	30	IO-Link	IP 65	0 ... 60 °C	54
VS-VP10-W-D M8-4 UH IOL	"Non-aggressive gases	-1...10bar	Adjustable: 0 to 100% of set value	1 analog / 1 digital	Male connect M8, 4 pole	18-30V-DC	30	IO-Link	IP 65	0 ... 60 °C	54

# Vacuum and Pressure Switches VS-V/VP-W-D

Measuring range from -1 bar to 10 bar

## Design data Vacuum and Pressure Switches VS-V/VP-W-D



VS-V/VP-W-D

## Vacuum and Pressure Switches VS-V/VP-W-D

Measuring range from -1 bar to 10 bar

### Design data Vacuum and Pressure Switches VS-V/VP-W-D

Type	B [mm]	G1	G2	H [mm]	H1 [mm]	L [mm]	LG1 [mm]	X1 [mm]	Y1 [mm]
VS-V-W-D M8-4 UH IOL	30	G1/8"-F	M8x1-M	36.4	38.6	30	6.8	20	22
VS-VP10-W-D M8-4 UH IOL	30	G1/8"-F	M8x1-M	36.4	38.6	30	6.8	20	22