

Flat suction cup (round)

<https://www.schmalz.com/10.01.01.11939>



SAFT 80 NBR-60

Part no.: 10.01.01.11939

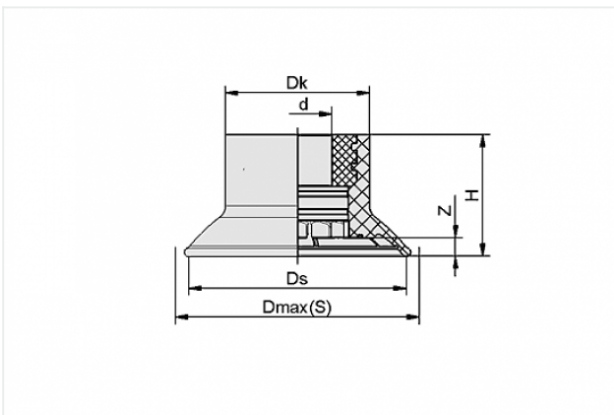
Homepage > Vacuum Technology for Automation > Vacuum Components > Vacuum Suction Cups > Suction Cups for Handling Sheet Metal > SAFT 80 NBR-60

Flat suction cup (round)



Size: 80
Suction cup material:
Nitrile rubber NBR
Material hardness: 60 °Sh

Design Data



Attribute	Value
-----------	-------

Dk	40 mm
----	-------

d	19 mm
---	-------

H	36 mm
---	-------

Z	7.3 mm
---	--------

Dmax(S)	86 mm
---------	-------

Ds	83 mm
----	-------

Technical Data

Attribute	Value
-----------	-------

Size	80
------	----

Suction cup material	Nitrile rubber NBR
----------------------	--------------------

Contact to Schmalz

J. Schmalz GmbH | Johannes-Schmalz-Straße, 72293 Glatten, Deutschland | +49 7443 2403-102 | customercenter@schmalz.de



Attribute	Value
Weight	53.2 g
Number of folds	0
Product family	SAFT
