

Flat suction cup (round)

<https://www.schmalz.com/10.01.01.11940>



SAFT-C 80 NBR-60 M10-AG

Part no.: 10.01.01.11940

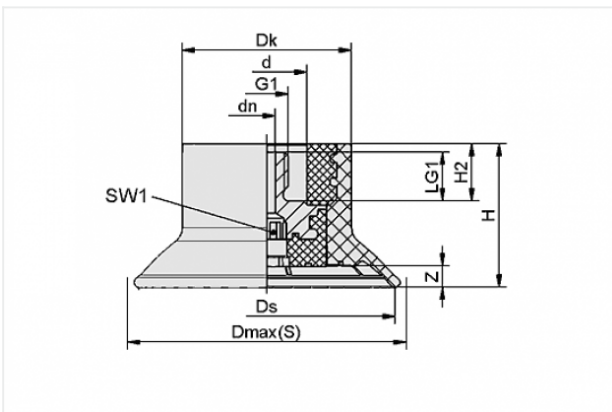
Homepage > Vacuum Technology for Automation > Vacuum Components > Vacuum Suction Cups > Suction Cups for Handling Sheet Metal > Flat Suction Cups SAFT-C > SAFT-C 80 NBR-60 M10-AG

Flat suction cup (round) for best dynamics on smooth, oily surfaces



Size: 80
Suction cup material:
Nitrile rubber NBR
Material hardness: 60 °Sh
Nipple material: Aluminium
Vacuum connection: M10-M

Design Data



Attribute	Value
-----------	-------

d	19 mm
---	-------

dn	4 mm
----	------

Dk	40 mm
----	-------

Dmax(S)	86 mm
---------	-------

Ds	83 mm
----	-------

G1	M10-M
----	-------

H	36 mm
---	-------

H2	2 mm
----	------

LG1	11.5 mm
-----	---------

SW1	8 mm
-----	------

Z	7.3 mm
---	--------

Contact to Schmalz

J. Schmalz GmbH | Johannes-Schmalz-Straße, 72293 Glatten, Deutschland | +49 7443 2403-102 | customercenter@schmalz.de

Technical Data

Attribute	Value
Suction force	272 N
Lateral force	212 N
Lateral force (oily surface)	185 N
Volume	34.5 cm ³
Curve radius (min) (convex)	100 mm
Internal hose diameter (recom.)	6 mm
Size	80
Suction cup material	Nitrile rubber NBR
Weight	69.5 g
Number of folds	0

Spare Parts



SA-NIP N054 M10-AG DN400

Part no. 10.01.01.11942

Suction cup connection nipple

Nipple: N 054

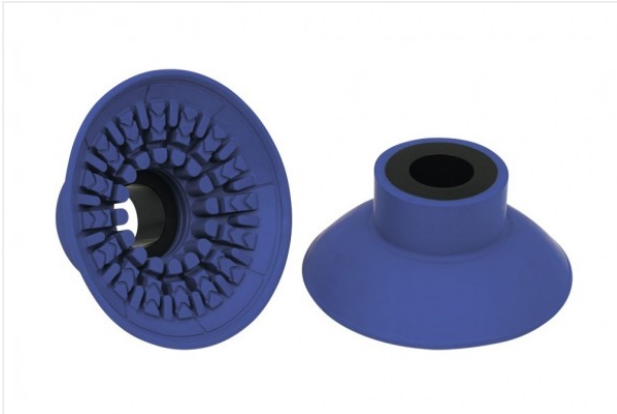
Thread G1: M10-M

Overall length: 20.6 mm

Nominal size: 4,00 mm

Material: Aluminium

Spanner size SW2: 8 mm



SAFT 80 NBR-60

Part no. 10.01.01.11939

Flat suction cup (round)

Size: 80

Suction cup material:

Nitrile rubber NBR

Material hardness: 60 °Sh



REIB-SCHE 28x13.5 XNBR-45

Part no. 10.01.01.11943

Friction washer

External diameter D: 28 mm

Length L: 13.5 mm

Material: Perbunan XNBR 45±5ShA