

# Flat suction cup (round)

<https://www.schmalz.com/10.01.01.11938>



## SAFT-C 60 NBR-60 M10-AG

Part no.: 10.01.01.11938

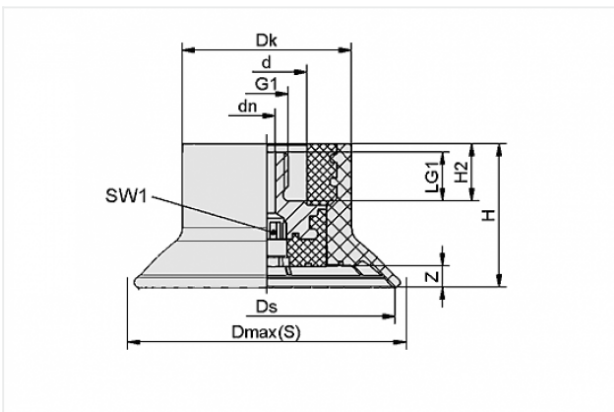
Homepage > Vacuum Technology for Automation > Vacuum Components > Vacuum Suction Cups > Suction Cups for Handling Sheet Metal > Flat Suction Cups SAFT-C > SAFT-C 60 NBR-60 M10-AG

### Flat suction cup (round) for best dynamics on smooth, oily surfaces



Size: 60  
Suction cup material:  
Nitrile rubber NBR  
Material hardness: 60 °Sh  
Nipple material: Aluminium  
Vacuum connection: M10-M

### Design Data



Attribute	Value
-----------	-------

d	19 mm
---	-------

dn	4 mm
----	------

Dk	40 mm
----	-------

Dmax(S)	66 mm
---------	-------

Ds	63 mm
----	-------

G1	M10-M
----	-------

H	34 mm
---	-------

H2	2 mm
----	------

LG1	11.5 mm
-----	---------

SW1	8 mm
-----	------

Z	5.3 mm
---	--------

### Contact to Schmalz

J. Schmalz GmbH | Johannes-Schmalz-Straße, 72293 Glatten, Deutschland | +49 7443 2403-102 | [customercenter@schmalz.de](mailto:customercenter@schmalz.de)

## Technical Data

Attribute	Value
Suction force	150 N
Lateral force	112 N
Lateral force (oily surface)	95 N
Volume	15 cm <sup>3</sup>
Curve radius (min) (convex)	75 mm
Internal hose diameter (recom.)	6 mm
Size	60
Suction cup material	Nitrile rubber NBR
Weight	51.1 g
Number of folds	0

## Spare Parts



### SA-NIP N054 M10-AG DN400

Part no. 10.01.01.11942

Suction cup connection nipple

Nipple: N 054

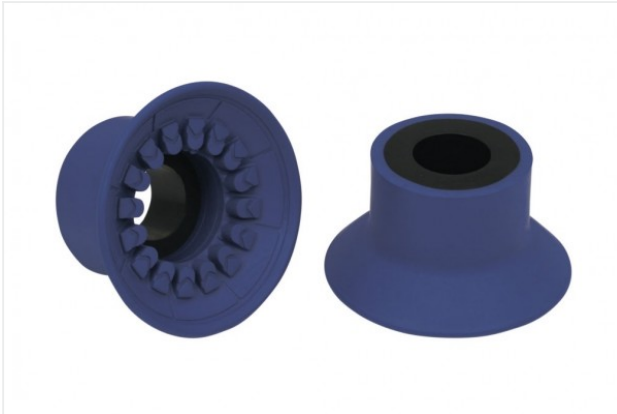
Thread G1: M10-M

Overall length: 20.6 mm

Nominal size: 4,00 mm

Material: Aluminium

Spanner size SW2: 8 mm



**SAFT 60 NBR-60**

Part no. 10.01.01.11937

Flat suction cup (round)

Size: 60

Suction cup material:

Nitrile rubber NBR

Material hardness: 60 °Sh



**REIB-SCHE 28x13.5 XNBR-45**

Part no. 10.01.01.11943

Friction washer

External diameter D: 28 mm

Length L: 13.5 mm

Material: Perbunan XNBR 45±5ShA