

# Flat suction cup (round)

<https://www.schmalz.com/10.01.01.12362>



## SAF 60 HT2-65 G3/8-IG

Part no.: 10.01.01.12362

Homepage > Vacuum Technology for Automation > Vacuum Components > Vacuum Suction Cups > Flat Suction Cups (Round) > Flat Suction Cups

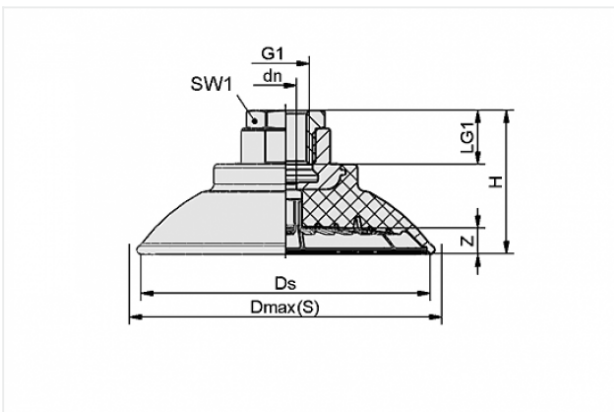
SAF HT2 > SAF 60 HT2-65 G3/8-IG

### Flat suction cup (round) for very dynamic handling



Size: 60  
Suction cup material:  
High temp material HT2  
Material hardness: 65 °Sh  
Temperature resistance: 250 °C  
Nipple material: Aluminium  
Vacuum connection: G3/8-F

### Design Data



Attribute	Value
-----------	-------

dn	6 mm
Dmax(S)	67 mm
Ds	60.6 mm
G1	G3/8"-F
H	31 mm
LG1	15 mm
SW1	22 mm
Z	6 mm

### Technical Data

#### Contact to Schmalz

J. Schmalz GmbH | Johannes-Schmalz-Straße, 72293 Glatten, Deutschland | +49 7443 2403-102 | [customercenter@schmalz.de](mailto:customercenter@schmalz.de)

Attribute	Value
Suction force	150 N
Lateral force	102 N
Volume	13 cm <sup>3</sup>
Curve radius (min) (convex)	75 mm
Internal hose diameter (recom.)	6 mm
Size	60
Suction cup material	High temp material HT2
Material hardness	65 °Sh
Weight	48.6 g
Number of folds	0
Product family	SAF

## Accessories



### SU 60

Part no. 10.01.01.13585

Cover for suction cup

Size: 60

Temperature resistance: 80 °C