

Flat suction cup (round)

<https://www.schmalz.com/10.01.01.12360>



SAF 60 HT2-65 G1/4-IG

Part no.: 10.01.01.12360

Homepage > Vacuum Technology for Automation > Vacuum Components > Vacuum Suction Cups > Flat Suction Cups (Round) > Flat Suction Cups

SAF HT2 > SAF 60 HT2-65 G1/4-IG

Flat suction cup (round) for very dynamic handling



Size: 60

Suction cup material:

High temp material HT2

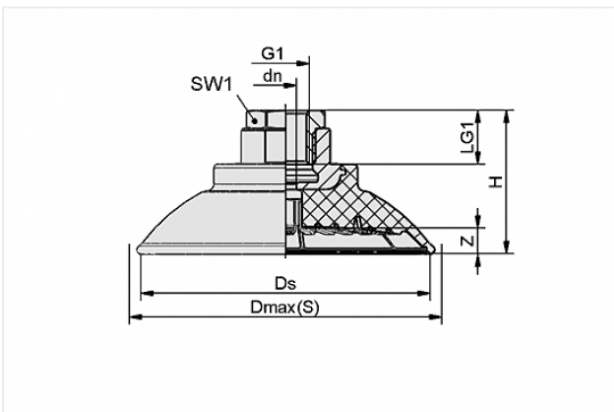
Material hardness: 65 °Sh

Temperature resistance: 250 °C

Nipple material: Brass, nickel-plated

Vacuum connection: G1/4-F

Design Data



Attribute	Value
-----------	-------

dn	6 mm
----	------

Dmax(S)	67 mm
---------	-------

Ds	60.6 mm
----	---------

G1	G1/4"-F
----	---------

H	36 mm
---	-------

LG1	15 mm
-----	-------

SW1	22 mm
-----	-------

Z	6 mm
---	------

Technical Data

Contact to Schmalz

J. Schmalz GmbH | Johannes-Schmalz-Straße, 72293 Glatten, Deutschland | +49 7443 2403-102 | customercenter@schmalz.de

Attribute	Value
Suction force	150 N
Lateral force	102 N
Volume	13 cm ³
Curve radius (min) (convex)	75 mm
Internal hose diameter (recom.)	6 mm
Size	60
Suction cup material	High temp material HT2
Material hardness	65 °Sh
Weight	62.2 g
Number of folds	0
Product family	SAF

Accessories



SU 60

Part no. 10.01.01.13585

Cover for suction cup

Size: 60

Temperature resistance: 80 °C