

Flat suction cup (round)

<https://www.schmalz.com/10.01.01.12361>



SAF 60 HT2-65 G1/4-AG

Part no.: 10.01.01.12361

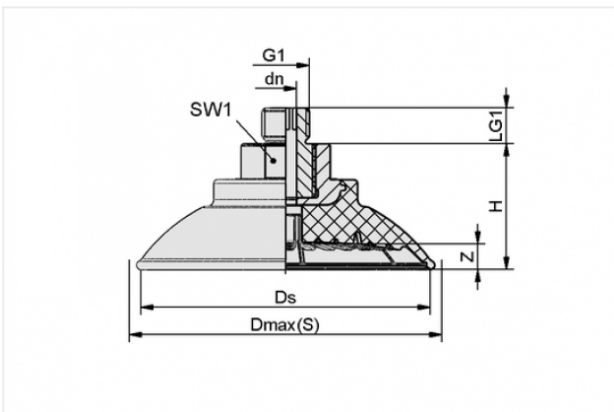
Homepage > Vacuum Technology for Automation > Vacuum Components > Vacuum Suction Cups > Suction Cups for Handling Sheet Metal > Flat Suction Cups SAF HT2 > SAF 60 HT2-65 G1/4-AG

Flat suction cup (round) for very dynamic handling



Size: 60
Suction cup material:
High temp material HT2
Material hardness: 65 °Sh
Temperature resistance: 250 °C
Nipple material: Aluminium
Vacuum connection: G1/4-M

Design Data



Attribute	Value
-----------	-------

dn	6 mm
Dmax(S)	67 mm
Ds	60.6 mm
G1	G1/4"-M
H	31 mm
LG1	10 mm
SW1	22 mm
Z	6 mm

Technical Data

Contact to Schmalz

J. Schmalz GmbH | Johannes-Schmalz-Straße, 72293 Glatten, Deutschland | +49 7443 2403-102 | customercenter@schmalz.de

Attribute	Value
Suction force	150 N
Lateral force	102 N
Volume	13 cm ³
Curve radius (min) (convex)	75 mm
Internal hose diameter (recom.)	6 mm
Size	60
Suction cup material	High temp material HT2
Material hardness	65 °Sh
Weight	57.5 g
Number of folds	0
Product family	SAF

Accessories



SU 60

Part no. 10.01.01.13585

Cover for suction cup

Size: 60

Temperature resistance: 80 °C