

Flat suction cup (round)

<https://www.schmalz.com/10.01.01.12358>



SAF 50 HT2-65 G3/8-IG

Part no.: 10.01.01.12358

Homepage > Vacuum Technology for Automation > Vacuum Components > Vacuum Suction Cups > Suction Cups for High-Temperature

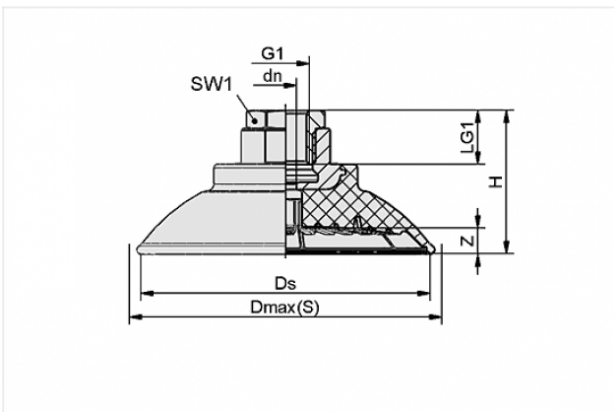
Applications > Flat Suction Cups SAF HT2 > SAF 50 HT2-65 G3/8-IG

Flat suction cup (round) for very dynamic handling



Size: 50
Suction cup material:
High temp material HT2
Material hardness: 65 °Sh
Temperature resistance: 250 °C
Nipple material: Aluminium
Vacuum connection: G3/8-F

Design Data



Attribute	Value
dn	6 mm
Dmax(S)	56 mm
Ds	50 mm
G1	G3/8"-F
H	28 mm
LG1	15 mm
SW1	22 mm
Z	5 mm

Technical Data

Contact to Schmalz

J. Schmalz GmbH | Johannes-Schmalz-Straße, 72293 Glatten, Deutschland | +49 7443 2403-102 | customercenter@schmalz.de

Attribute	Value
Suction force	100 N
Lateral force	78 N
Volume	7 cm ³
Curve radius (min) (convex)	65 mm
Internal hose diameter (recom.)	4 mm
Size	50
Suction cup material	High temp material HT2
Material hardness	65 °Sh
Weight	37.9 g
Number of folds	0
Product family	SAF

Accessories



SU 50

Part no. 10.01.01.12837

Cover for suction cup

Size: 50

Clamping range: 45.0 ... 60.0 mm

Temperature resistance: 80 °C