

# Flat suction cup (round)

<https://www.schmalz.com/10.01.01.12354>



## SAF 40 HT2-65 G3/8-IG

Part no.: 10.01.01.12354

Homepage > Vacuum Technology for Automation > Vacuum Components > Vacuum Suction Cups > Flat Suction Cups (Round) > Flat Suction Cups

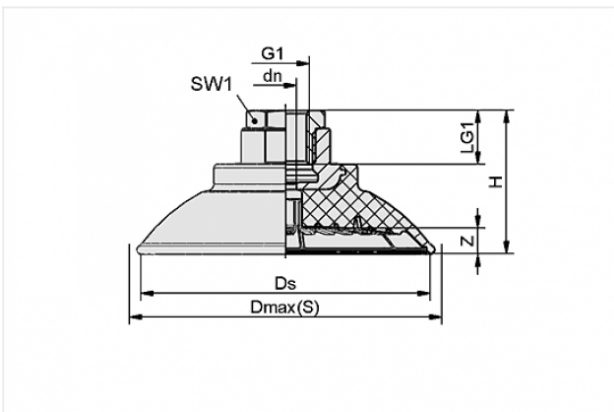
SAF HT2 > SAF 40 HT2-65 G3/8-IG

### Flat suction cup (round) for very dynamic handling



Size: 40  
Suction cup material:  
High temp material HT2  
Material hardness: 65 °Sh  
Temperature resistance: 250 °C  
Nipple material: Brass, nickel-plated  
Vacuum connection: G3/8-F

### Design Data



Attribute	Value
-----------	-------

dn	4 mm
Dmax(S)	46 mm
Ds	41 mm
G1	G3/8"-F
H	38 mm
LG1	9 mm
SW1	22 mm
Z	4 mm

### Technical Data

#### Contact to Schmalz

J. Schmalz GmbH | Johannes-Schmalz-Straße, 72293 Glatten, Deutschland | +49 7443 2403-102 | [customercenter@schmalz.de](mailto:customercenter@schmalz.de)

Attribute	Value
Suction force	69 N
Lateral force	51 N
Volume	3.8 cm <sup>3</sup>
Curve radius (min) (convex)	50 mm
Internal hose diameter (recom.)	4 mm
Size	40
Suction cup material	High temp material HT2
Material hardness	65 °Sh
Weight	49.2 g
Number of folds	0
Product family	SAF

## Accessories



### SU 40

Part no. 10.01.01.12856

Cover for suction cup

Size: 40

Clamping range: 35.0 ... 45.0 mm

Temperature resistance: 80 °C