

Flat suction cup (round)

<https://www.schmalz.com/10.01.01.12352>



SAF 40 HT2-65 G1/4-IG

Part no.: 10.01.01.12352

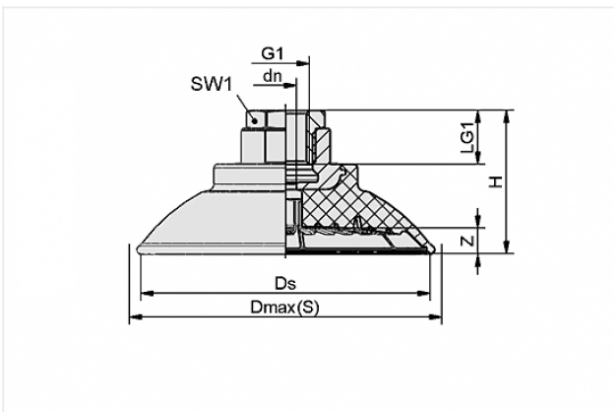
Homepage > Vacuum Technology for Automation > Vacuum Components > Vacuum Suction Cups > Suction Cups for Handling Sheet Metal > Flat Suction Cups SAF HT2 > SAF 40 HT2-65 G1/4-IG

Flat suction cup (round) for very dynamic handling



Size: 40
Suction cup material:
High temp material HT2
Material hardness: 65 °Sh
Temperature resistance: 250 °C
Nipple material: Aluminium
Vacuum connection: G1/4-F

Design Data



Attribute	Value
dn	4 mm
Dmax(S)	46 mm
Ds	41 mm
G1	G1/4"-F
H	22 mm
LG1	12 mm
SW1	17 mm
Z	4 mm

Technical Data

Contact to Schmalz

J. Schmalz GmbH | Johannes-Schmalz-Straße, 72293 Glatten, Deutschland | +49 7443 2403-102 | customercenter@schmalz.de

Attribute	Value
Suction force	69 N
Lateral force	51 N
Volume	3.8 cm ³
Curve radius (min) (convex)	50 mm
Internal hose diameter (recom.)	4 mm
Size	40
Suction cup material	High temp material HT2
Material hardness	65 °Sh
Weight	16.8 g
Number of folds	0
Product family	SAF

Accessories



SU 40

Part no. 10.01.01.12856

Cover for suction cup

Size: 40

Clamping range: 35.0 ... 45.0 mm

Temperature resistance: 80 °C