

# Flat suction cup (round)

<https://www.schmalz.com/10.01.01.12353>



## SAF 40 HT2-65 G1/4-AG

Part no.: 10.01.01.12353

Homepage > Vacuum Technology for Automation > Vacuum Components > Vacuum Suction Cups > Flat Suction Cups (Round) > Flat Suction Cups

SAF HT2 > SAF 40 HT2-65 G1/4-AG

### Flat suction cup (round) for very dynamic handling



Size: 40

Suction cup material:

High temp material HT2

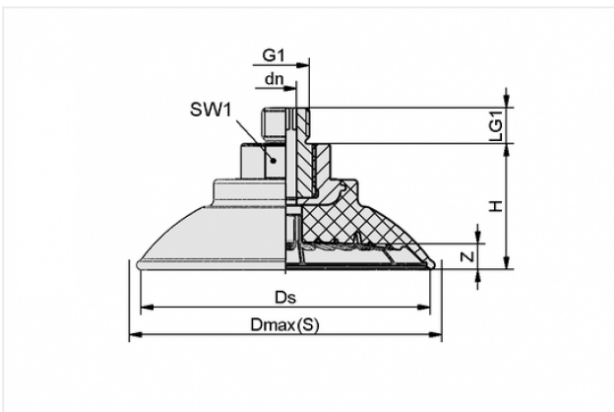
Material hardness: 65 °Sh

Temperature resistance: 250 °C

Nipple material: Aluminium

Vacuum connection: G1/4-M

### Design Data



Attribute	Value
-----------	-------

dn	4 mm
----	------

Dmax(S)	46 mm
---------	-------

Ds	41 mm
----	-------

G1	G1/4"-M
----	---------

H	22 mm
---	-------

LG1	10 mm
-----	-------

SW1	17 mm
-----	-------

Z	4 mm
---	------

### Technical Data

#### Contact to Schmalz

J. Schmalz GmbH | Johannes-Schmalz-Straße, 72293 Glatten, Deutschland | +49 7443 2403-102 | [customercenter@schmalz.de](mailto:customercenter@schmalz.de)

Attribute	Value
Suction force	69 N
Lateral force	51 N
Volume	3.8 cm <sup>3</sup>
Curve radius (min) (convex)	50 mm
Internal hose diameter (recom.)	4 mm
Size	40
Suction cup material	High temp material HT2
Material hardness	65 °Sh
Weight	22.1 g
Number of folds	0
Product family	SAF

## Accessories



### SU 40

Part no. 10.01.01.12856

Cover for suction cup

Size: 40

Clamping range: 35.0 ... 45.0 mm

Temperature resistance: 80 °C