

Flat suction cup (round)

<https://www.schmalz.com/10.01.01.12348>



SAF 30 HT2-65 G1/4-IG

Part no.: 10.01.01.12348

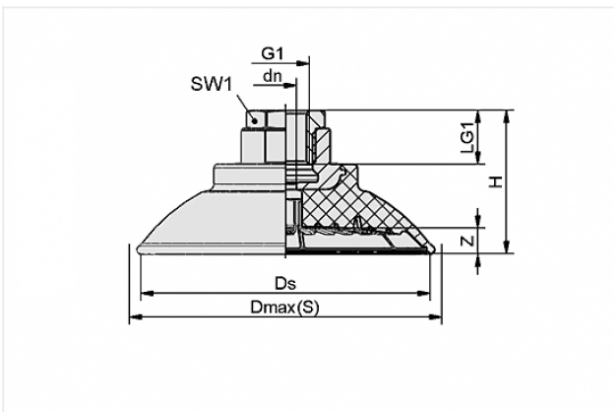
Homepage > Vacuum Technology for Automation > Vacuum Components > Vacuum Suction Cups > Flat Suction Cups (Round) > Flat Suction Cups
SAF HT2 > SAF 30 HT2-65 G1/4-IG

Flat suction cup (round) for very dynamic handling



Size: 30
Suction cup material:
High temp material HT2
Material hardness: 65 °Sh
Temperature resistance: 250 °C
Nipple material: Aluminium
Vacuum connection: G1/4-F

Design Data



Attribute	Value
dn	4 mm
Dmax(S)	34 mm
Ds	31 mm
G1	G1/4"-F
H	20 mm
LG1	12 mm
SW1	17 mm
Z	3 mm

Technical Data

Contact to Schmalz

J. Schmalz GmbH | Johannes-Schmalz-Straße, 72293 Glatten, Deutschland | +49 7443 2403-102 |
customercenter@schmalz.de

Attribute	Value
Suction force	38 N
Lateral force	29 N
Volume	1.7 cm ³
Curve radius (min) (convex)	40 mm
Internal hose diameter (recom.)	4 mm
Size	30
Suction cup material	High temp material HT2
Material hardness	65 °Sh
Weight	13.3 g
Number of folds	0
Product family	SAF

Accessories



SU 30

Part no. 10.01.01.12889

Cover for suction cup

Size: 30

Clamping range: 27.0 ... 35.0 mm

Temperature resistance: 80 °C