

# Flat suction cup (round)

<https://www.schmalz.com/10.01.01.12349>



## SAF 30 HT2-65 G1/4-AG

Part no.: 10.01.01.12349

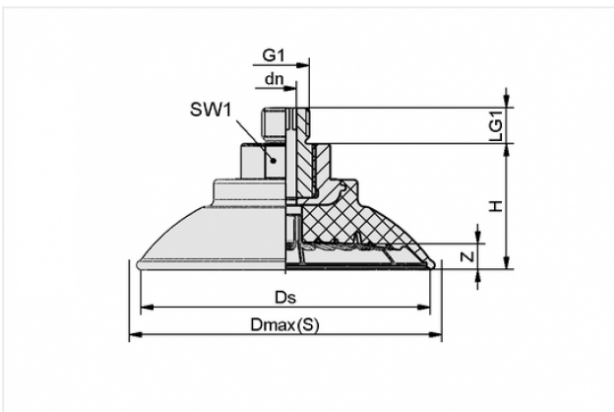
Homepage > Vacuum Technology for Automation > Vacuum Components > Vacuum Suction Cups > Suction Cups for Handling Sheet Metal > Flat Suction Cups SAF HT2 > SAF 30 HT2-65 G1/4-AG

### Flat suction cup (round) for very dynamic handling



Size: 30  
Suction cup material:  
High temp material HT2  
Material hardness: 65 °Sh  
Temperature resistance: 250 °C  
Nipple material: Aluminium  
Vacuum connection: G1/4-M

### Design Data



Attribute	Value
dn	4 mm
Dmax(S)	34 mm
Ds	31 mm
G1	G1/4"-M
H	20 mm
LG1	10 mm
SW1	17 mm
Z	3 mm

### Technical Data

#### Contact to Schmalz

J. Schmalz GmbH | Johannes-Schmalz-Straße, 72293 Glatten, Deutschland | +49 7443 2403-102 | [customercenter@schmalz.de](mailto:customercenter@schmalz.de)

Attribute	Value
Suction force	38 N
Lateral force	29 N
Volume	1.7 cm <sup>3</sup>
Curve radius (min) (convex)	40 mm
Internal hose diameter (recom.)	4 mm
Size	30
Suction cup material	High temp material HT2
Material hardness	65 °Sh
Weight	18.6 g
Number of folds	0
Product family	SAF

## Accessories



### SU 30

Part no. 10.01.01.12889

Cover for suction cup

Size: 30

Clamping range: 27.0 ... 35.0 mm

Temperature resistance: 80 °C