

Flat suction cup (round)

<https://www.schmalz.com/10.01.01.11485>



SAF 125 NBR-45 M10-AG

Part no.: 10.01.01.11485

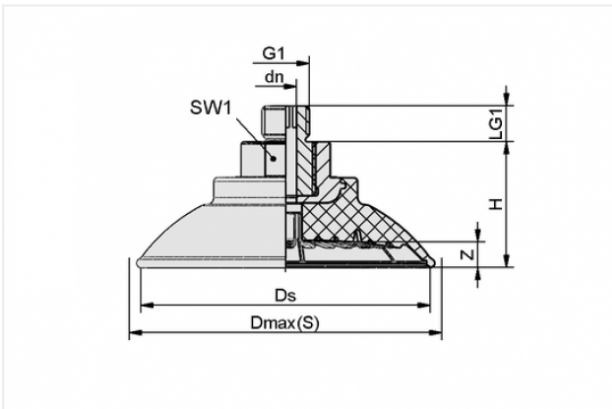
Homepage > Vacuum Technology for Automation > Vacuum Components > Vacuum Suction Cups > Flat Suction Cups (Round) > Flat Suction Cups
SAF > SAF 125 NBR-45 M10-AG

Flat suction cup (round) for very dynamic handling of smooth and oily workpieces



Size: 125
Suction cup material:
Nitrile rubber NBR
Material hardness: 45 °Sh
Vacuum connection: M10-M
Nipple material: Steel

Design Data



| Attribute | Value |
|-----------|---------|
| dn | 4 mm |
| Dmax(S) | 135 mm |
| Ds | 125 mm |
| G1 | M10-M |
| H | 43 mm |
| LG1 | 12 mm |
| SW1 | 22 mm |
| Z | 12.5 mm |

Technical Data

Contact to Schmalz

J. Schmalz GmbH | Johannes-Schmalz-Straße, 72293 Glatten, Deutschland | +49 7443 2403-102 |
customercenter@schmalz.de

| Attribute | Value |
|---------------------------------|---------------------|
| Suction force | 660 N |
| Lateral force | 475 N |
| Lateral force (oily surface) | 400 N |
| Volume | 119 cm ³ |
| Curve radius (min) (convex) | 165 mm |
| Internal hose diameter (recom.) | 9 mm |
| Size | 125 |
| Suction cup material | Nitrile rubber NBR |
| Material hardness | 45 °Sh |
| Weight | 169.4 g |
| Number of folds | 0 |
| Product family | SAF |

Note:

- Suction force: The specified suction forces are theoretical values at a vacuum of -0.6 bar and with a smooth, dry workpiece surface - they do not include a safety factor
- Lateral force: The specified lateral forces are values measured at a vacuum of -0.6 bar with a dry or oily, smooth, flat workpiece surface. Depending on the workpiece surface and its quality, the actual values may deviate from these values
- Hose diameter: The recommended hose diameter refers to a hose length of approx. 2 m

Accessories



SU 120

Part no. 10.01.01.12437

Cover for suction cup

Size: 120

Clamping range: 115.0 ... 130.0 mm

Temperature resistance: 80 °C

Contact to Schmalz

