

Flat suction cup (round)

<https://www.schmalz.com/10.01.01.11474>



SAF 100 NBR-45 RA

Part no.: 10.01.01.11474

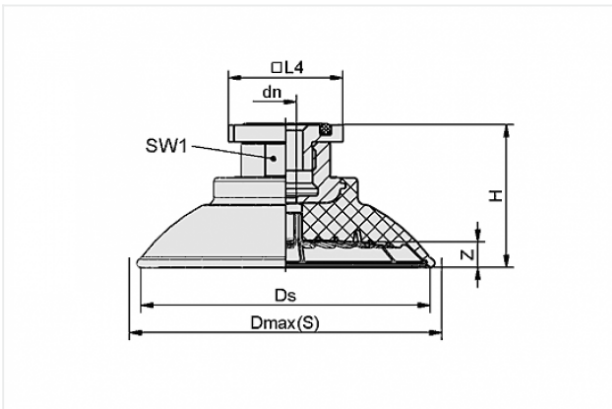
Homepage > Vacuum Technology for Automation > Vacuum Components > Vacuum Suction Cups > Flat Suction Cups (Round) > Flat Suction Cups
SAF > SAF 100 NBR-45 RA

Flat suction cup (round) for very dynamic handling of smooth and oily workpieces



Size: 100
Suction cup material:
Nitrile rubber NBR
Material hardness: 45 °Sh
Vacuum connection:
Rectangular adapter
Nipple material: Aluminium

Design Data



Attribute	Value
-----------	-------

dn	6 mm
Dmax(S)	110 mm
Ds	103 mm
H	35.5 mm
SW1	22 mm
Z	9.5 mm

Technical Data

Attribute	Value
Suction force	430 N

Contact to Schmalz

J. Schmalz GmbH | Johannes-Schmalz-Straße, 72293 Glatten, Deutschland | +49 7443 2403-102 | customercenter@schmalz.de

Attribute	Value
Lateral force	310 N
Lateral force (oily surface)	300 N
Volume	59.9 cm ³
Curve radius (min) (convex)	135 mm
Internal hose diameter (recom.)	6 mm
Size	100
Suction cup material	Nitrile rubber NBR
Material hardness	45 °Sh
Weight	76.4 g
Number of folds	0
Product family	SAF

Note:

- Suction force: The specified suction forces are theoretical values at a vacuum of -0.6 bar and with a smooth, dry workpiece surface - they do not include a safety factor
- Lateral force: The specified lateral forces are values measured at a vacuum of -0.6 bar with a dry or oily, smooth, flat workpiece surface. Depending on the workpiece surface and its quality, the actual values may deviate from these values
- Hose diameter: The recommended hose diameter refers to a hose length of approx. 2 m

Accessories



SU 100

Part no. 10.01.01.12840

Cover for suction cup

Size: 100

Clamping range: 110.0 ... 115.0 mm

Temperature resistance: 80 °C

