

Flat suction cup (round)

<https://www.schmalz.com/10.01.01.11471>



SAF 100 NBR-45 G1/4-IG

Part no.: 10.01.01.11471

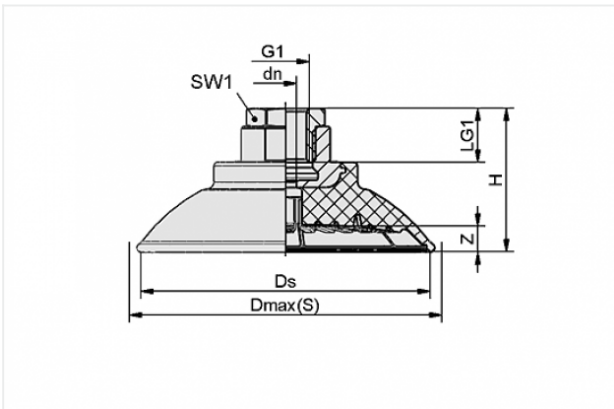
Homepage > Vacuum Technology for Automation > Vacuum Components > Vacuum Suction Cups > Flat Suction Cups (Round) > Flat Suction Cups
SAF > SAF 100 NBR-45 G1/4-IG

Flat suction cup (round) for very dynamic handling of smooth and oily workpieces



Size: 100
Suction cup material:
Nitrile rubber NBR
Material hardness: 45 °Sh
Vacuum connection: G1/4-F
Nipple material: Brass, nickel-plated

Design Data



Attribute	Value
dn	6 mm
Dmax(S)	110 mm
Ds	103 mm
G1	G1/4"-F
H	41 mm
LG1	20 mm
SW1	22 mm
Z	9.5 mm

Technical Data

Contact to Schmalz

J. Schmalz GmbH | Johannes-Schmalz-Straße, 72293 Glatten, Deutschland | +49 7443 2403-102 | customercenter@schmalz.de

Attribute	Value
Suction force	430 N
Lateral force	310 N
Lateral force (oily surface)	300 N
Volume	59.9 cm ³
Curve radius (min) (convex)	135 mm
Internal hose diameter (recom.)	6 mm
Size	100
Suction cup material	Nitrile rubber NBR
Material hardness	45 °Sh
Weight	67.4 g
Number of folds	0
Product family	SAF

Note:

- Suction force: The specified suction forces are theoretical values at a vacuum of -0.6 bar and with a smooth, dry workpiece surface - they do not include a safety factor
- Lateral force: The specified lateral forces are values measured at a vacuum of -0.6 bar with a dry or oily, smooth, flat workpiece surface. Depending on the workpiece surface and its quality, the actual values may deviate from these values
- Hose diameter: The recommended hose diameter refers to a hose length of approx. 2 m

Accessories



SU 100

Part no. 10.01.01.12840
 Cover for suction cup
 Size: 100
 Clamping range: 110.0 ... 115.0 mm
 Temperature resistance: 80 °C

Contact to Schmalz

