

Flat suction cup (round)

<https://www.schmalz.com/10.01.01.11470>



SAF 100 NBR-45 G1/4-AG

Part no.: 10.01.01.11470

Homepage > Vacuum Technology for Automation > Vacuum Components > Vacuum Suction Cups > Flat Suction Cups (Round) > Flat Suction Cups

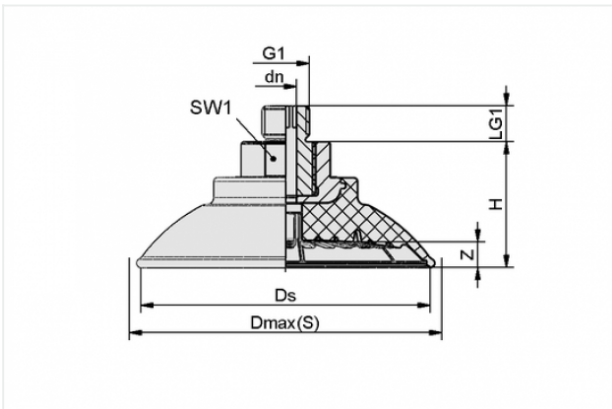
SAF > SAF 100 NBR-45 G1/4-AG

Flat suction cup (round) for very dynamic handling of smooth and oily workpieces



Size: 100
Suction cup material:
Nitrile rubber NBR
Material hardness: 45 °Sh
Vacuum connection: G1/4-M
Nipple material: Aluminium

Design Data



| Attribute | Value |
|-----------|-------|
|-----------|-------|

| | |
|---------|---------|
| dn | 6 mm |
| Dmax(S) | 110 mm |
| Ds | 103 mm |
| G1 | G1/4"-M |
| H | 36 mm |
| LG1 | 10 mm |
| SW1 | 22 mm |
| Z | 9.5 mm |

Technical Data

Contact to Schmalz

J. Schmalz GmbH | Johannes-Schmalz-Straße, 72293 Glatten, Deutschland | +49 7443 2403-102 | customercenter@schmalz.de

| Attribute | Value |
|---------------------------------|----------------------|
| Suction force | 430 N |
| Lateral force | 310 N |
| Lateral force (oily surface) | 300 N |
| Volume | 59.9 cm ³ |
| Curve radius (min) (convex) | 135 mm |
| Internal hose diameter (recom.) | 6 mm |
| Size | 100 |
| Suction cup material | Nitrile rubber NBR |
| Material hardness | 45 °Sh |
| Weight | 76.3 g |
| Number of folds | 0 |
| Product family | SAF |

Note:

- Suction force: The specified suction forces are theoretical values at a vacuum of -0.6 bar and with a smooth, dry workpiece surface - they do not include a safety factor
- Lateral force: The specified lateral forces are values measured at a vacuum of -0.6 bar with a dry or oily, smooth, flat workpiece surface. Depending on the workpiece surface and its quality, the actual values may deviate from these values
- Hose diameter: The recommended hose diameter refers to a hose length of approx. 2 m

Accessories



SU 100

Part no. 10.01.01.12840
 Cover for suction cup
 Size: 100
 Clamping range: 110.0 ... 115.0 mm
 Temperature resistance: 80 °C

