

# Flat suction cup (round)

<https://www.schmalz.com/10.01.01.10796>



## SAF 50 NBR-60 RA

Part no.: 10.01.01.10796

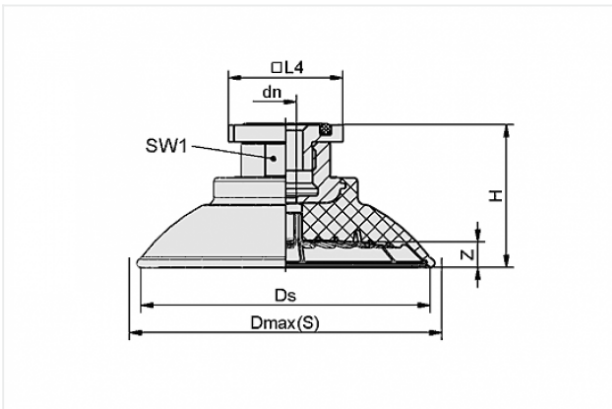
Homepage > Vacuum Technology for Automation > Vacuum Components > Vacuum Suction Cups > Flat Suction Cups (Round) > SAF 50 NBR-60 RA

## Flat suction cup (round) for very dynamic handling of smooth and oily workpieces



Size: 50  
Suction cup material:  
Nitrile rubber NBR  
Material hardness: 60 °Sh  
Vacuum connection:  
Rectangular adapter  
Nipple material: Aluminium

### Design Data



Attribute	Value
-----------	-------

dn	6 mm
Dmax(S)	56 mm
Ds	50 mm
H	27.5 mm
SW1	22 mm
Z	5 mm

### Technical Data

Attribute	Value
-----------	-------

Suction force	100 N
---------------	-------

### Contact to Schmalz

J. Schmalz GmbH | Johannes-Schmalz-Straße, 72293 Glatten, Deutschland | +49 7443 2403-102 | [customercenter@schmalz.de](mailto:customercenter@schmalz.de)

Attribute	Value
Lateral force	80 N
Lateral force (oily surface)	76 N
Volume	9.48 cm <sup>3</sup>
Curve radius (min) (convex)	65 mm
Internal hose diameter (recom.)	4 mm
Size	50
Suction cup material	Nitrile rubber NBR
Material hardness	60 °Sh
Weight	39.9 g
Number of folds	0
Product family	SAF

## Accessories



### SU 50

Part no. 10.01.01.12837

Cover for suction cup

Size: 50

Clamping range: 45.0 ... 60.0 mm

Temperature resistance: 80 °C