

Flat suction cup (round)

<https://www.schmalz.com/10.01.01.11445>



SAF 50 NBR-45 M14x1.5-AG

Part no.: 10.01.01.11445

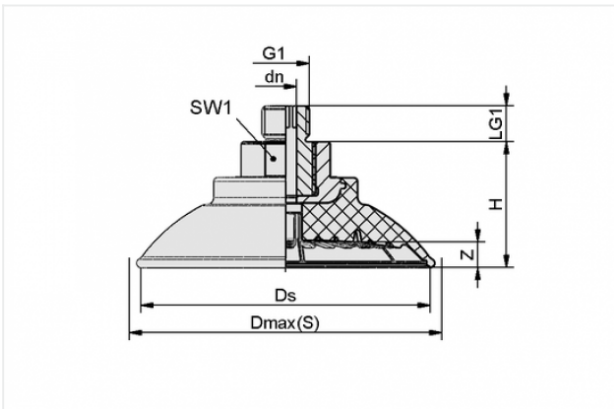
Homepage > Vacuum Technology for Automation > Vacuum Components > Vacuum Suction Cups > Flat Suction Cups (Round) > SAF 50 NBR-45 M14x1.5-AG

Flat suction cup (round) for very dynamic handling of smooth and oily workpieces



Size: 50
Suction cup material:
Nitrile rubber NBR
Material hardness: 45 °Sh
Vacuum connection: M14x1.5-M
Nipple material: Aluminium

Design Data



Attribute	Value
dn	6 mm
Dmax(S)	56 mm
Ds	50 mm
G1	M14x1.5-M
H	28 mm
LG1	12 mm
SW1	22 mm
Z	5 mm

Technical Data

Contact to Schmalz

J. Schmalz GmbH | Johannes-Schmalz-Straße, 72293 Glatten, Deutschland | +49 7443 2403-102 | customercenter@schmalz.de

Attribute	Value
Suction force	100 N
Lateral force	80 N
Lateral force (oily surface)	76 N
Volume	9.48 cm ³
Curve radius (min) (convex)	65 mm
Internal hose diameter (recom.)	4 mm
Size	50
Suction cup material	Nitrile rubber NBR
Material hardness	45 °Sh
Weight	40.8 g
Number of folds	0
Product family	SAF

Accessories



SU 50

Part no. 10.01.01.12837

Cover for suction cup

Size: 50

Clamping range: 45.0 ... 60.0 mm

Temperature resistance: 80 °C