

Flat suction cup (round)

<https://www.schmalz.com/10.01.01.10708>



SAF 40 NBR-60 G3/8-IG

Part no.: 10.01.01.10708

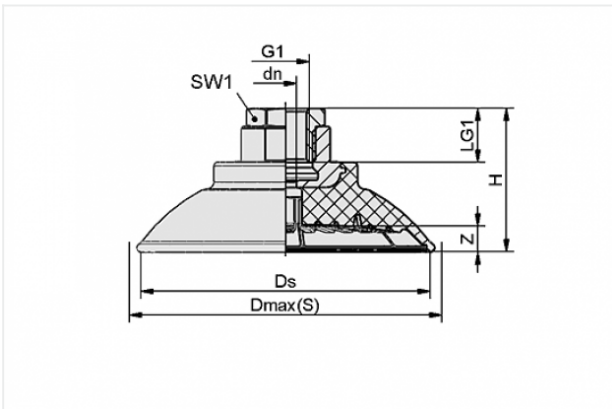
Homepage > Vacuum Technology for Automation > Vacuum Components > Vacuum Suction Cups > Flat Suction Cups (Round) > Flat Suction Cups
SAF > SAF 40 NBR-60 G3/8-IG

Flat suction cup (round) for very dynamic handling of smooth and oily workpieces



Size: 40
Suction cup material:
Nitrile rubber NBR
Material hardness: 60 °Sh
Vacuum connection: G3/8-F
Nipple material: Brass, nickel-plated

Design Data



Attribute	Value
dn	4 mm
Dmax(S)	46 mm
Ds	41 mm
G1	G3/8"-F
H	38 mm
LG1	9 mm
SW1	22 mm
Z	4 mm

Technical Data

Contact to Schmalz

J. Schmalz GmbH | Johannes-Schmalz-Straße, 72293 Glatten, Deutschland | +49 7443 2403-102 |
customercenter@schmalz.de

Attribute	Value
Suction force	69 N
Lateral force	52 N
Lateral force (oily surface)	50 N
Volume	5.3 cm ³
Curve radius (min) (convex)	50 mm
Internal hose diameter (recom.)	4 mm
Size	40
Suction cup material	Nitrile rubber NBR
Material hardness	60 °Sh
Weight	44.6 g
Number of folds	0
Product family	SAF

Note:

- Suction force: The specified suction forces are theoretical values at a vacuum of -0.6 bar and with a smooth, dry workpiece surface - they do not include a safety factor
- Lateral force: The specified lateral forces are values measured at a vacuum of -0.6 bar with a dry or oily, smooth, flat workpiece surface. Depending on the workpiece surface and its quality, the actual values may deviate from these values
- Hose diameter: The recommended hose diameter refers to a hose length of approx. 2 m

Accessories



SU 40

Part no. 10.01.01.12856
 Cover for suction cup
 Size: 40
 Clamping range: 35.0 ... 45.0 mm
 Temperature resistance: 80 °C

Contact to Schmalz

