

Flat suction cup (round)

<https://www.schmalz.com/10.01.01.10508>



SAF 40 NBR-60 G1/4-IG

Part no.: 10.01.01.10508

Homepage > Vacuum Technology for Automation > Vacuum Components > Vacuum Suction Cups > Flat Suction Cups (Round) > Flat Suction Cups

SAF > SAF 40 NBR-60 G1/4-IG

Flat suction cup (round) for very dynamic handling of smooth and oily workpieces



Size: 40

Suction cup material:

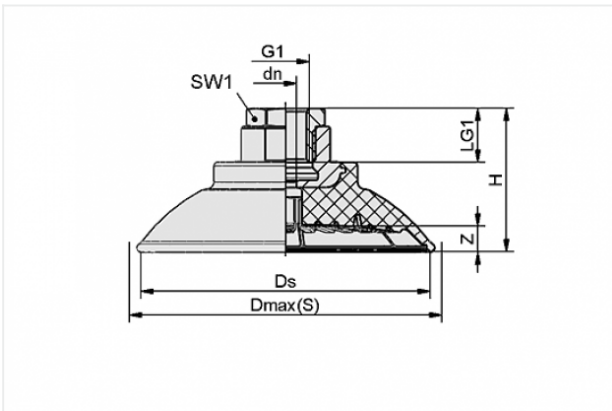
Nitrile rubber NBR

Material hardness: 60 °Sh

Vacuum connection: G1/4-F

Nipple material: Aluminium

Design Data



| Attribute | Value |
|-----------|---------|
| dn | 4 mm |
| Dmax(S) | 46 mm |
| Ds | 41 mm |
| G1 | G1/4"-F |
| H | 22 mm |
| LG1 | 12 mm |
| SW1 | 17 mm |
| Z | 4 mm |

Technical Data

Contact to Schmalz

J. Schmalz GmbH | Johannes-Schmalz-Straße, 72293 Glatten, Deutschland | +49 7443 2403-102 | customercenter@schmalz.de

| Attribute | Value |
|---------------------------------|---------------------|
| Suction force | 69 N |
| Lateral force | 52 N |
| Lateral force (oily surface) | 50 N |
| Volume | 5.3 cm ³ |
| Curve radius (min) (convex) | 50 mm |
| Internal hose diameter (recom.) | 4 mm |
| Size | 40 |
| Suction cup material | Nitrile rubber NBR |
| Material hardness | 60 °Sh |
| Weight | 13.6 g |
| Number of folds | 0 |
| Product family | SAF |

Note:

- Suction force: The specified suction forces are theoretical values at a vacuum of -0.6 bar and with a smooth, dry workpiece surface - they do not include a safety factor
- Lateral force: The specified lateral forces are values measured at a vacuum of -0.6 bar with a dry or oily, smooth, flat workpiece surface. Depending on the workpiece surface and its quality, the actual values may deviate from these values
- Hose diameter: The recommended hose diameter refers to a hose length of approx. 2 m

Accessories



SU 40

Part no. 10.01.01.12856
 Cover for suction cup
 Size: 40
 Clamping range: 35.0 ... 45.0 mm
 Temperature resistance: 80 °C

Contact to Schmalz

