

Flat suction cup (round)

<https://www.schmalz.com/10.01.01.10646>



SAF 30 NBR-60 G1/4-AG

Part no.: 10.01.01.10646

Homepage > Vacuum Technology for Automation > Vacuum Components > Vacuum Suction Cups > Flat Suction Cups (Round) > Flat Suction Cups

SAF > SAF 30 NBR-60 G1/4-AG

Flat suction cup (round) for very dynamic handling of smooth and oily workpieces



Size: 30

Suction cup material:

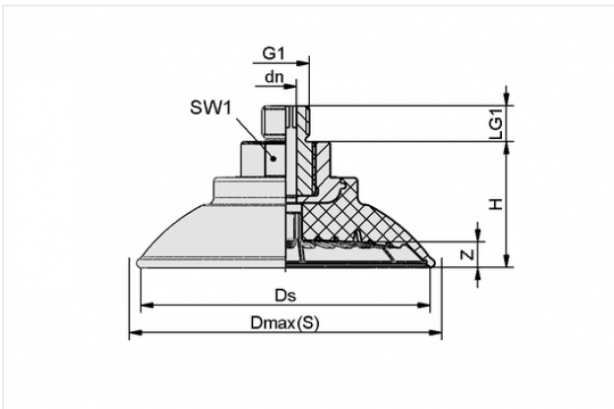
Nitrile rubber NBR

Material hardness: 60 °Sh

Vacuum connection: G1/4-M

Nipple material: Aluminium

Design Data



| Attribute | Value |
|-----------|---------|
| dn | 4 mm |
| Dmax(S) | 34 mm |
| Ds | 31 mm |
| G1 | G1/4"-M |
| H | 20 mm |
| LG1 | 10 mm |
| SW1 | 17 mm |
| Z | 3 mm |

Technical Data

Contact to Schmalz

J. Schmalz GmbH | Johannes-Schmalz-Straße, 72293 Glatten, Deutschland | +49 7443 2403-102 | customercenter@schmalz.de

| Attribute | Value |
|---------------------------------|----------------------|
| Suction force | 38 N |
| Lateral force | 30 N |
| Lateral force (oily surface) | 28 N |
| Volume | 2.72 cm ³ |
| Curve radius (min) (convex) | 40 mm |
| Internal hose diameter (recom.) | 4 mm |
| Size | 30 |
| Suction cup material | Nitrile rubber NBR |
| Material hardness | 60 °Sh |
| Weight | 16.9 g |
| Number of folds | 0 |
| Product family | SAF |

Note:

- Suction force: The specified suction forces are theoretical values at a vacuum of -0.6 bar and with a smooth, dry workpiece surface - they do not include a safety factor
- Lateral force: The specified lateral forces are values measured at a vacuum of -0.6 bar with a dry or oily, smooth, flat workpiece surface. Depending on the workpiece surface and its quality, the actual values may deviate from these values
- Hose diameter: The recommended hose diameter refers to a hose length of approx. 2 m

Accessories



SU 30

Part no. 10.01.01.12889

Cover for suction cup

Size: 30

Clamping range: 27.0 ... 35.0 mm

Temperature resistance: 80 °C

