

Suction plate (round)

SPK 250 MOS EPDM-15 G1/2-IG

<https://www.schmalz.com/10.01.01.12065>



Part no.: 10.01.01.12065

Homepage > Vacuum Technology for Automation > Vacuum Components > Vacuum Suction Cups > Flat Suction Cups (Round) > Suction Plates

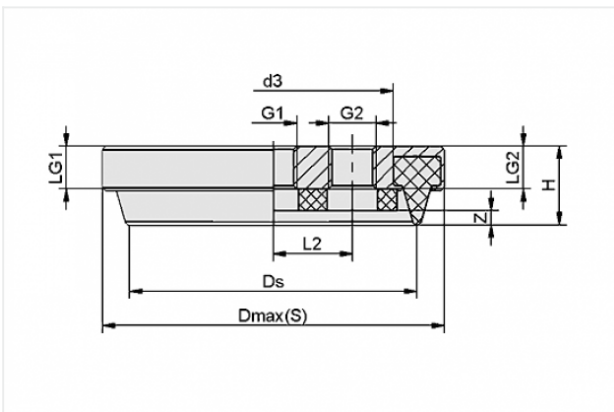
SPK > SPK 250 MOS EPDM-15 G1/2-IG

Suction plate (round) for rough and structured surfaces



Size: 250
 Material-Type: Foam rubber
 Sealing material: EPDM
 Material hardness: 15 °Sh
 Vacuum connection: G1/2-F
 Colour: black

Design Data



| Attribute | Value |
|-----------|---------|
| d3 | 235 mm |
| Dmax(S) | 269 mm |
| Ds | 249 mm |
| G1 | G1/2"-F |
| G2 | G1/2"-F |
| H | 25.5 mm |
| L2 | 76 mm |
| LG1 | 14.5 mm |
| LG2 | 14.5 mm |
| Z | 6 mm |

Contact to Schmalz

J. Schmalz GmbH | Johannes-Schmalz-Straße, 72293 Glatten, Deutschland | +49 7443 2403-102 | customercenter@schmalz.de

Technical Data

| Attribute | Value |
|---------------------------------|---------------------|
| Suction force | 2714 N |
| Volume | 291 cm ³ |
| Curve radius (min) (convex) | 2600 mm |
| Internal hose diameter (recom.) | 12 mm |
| Size | 250 |
| Material hardness | 15 °Sh |
| Weight | 2310 g |
| Number of folds | 0 |

Note:

- Suction force: The specified suction forces are theoretical values at a vacuum of -0.6 bar and with a smooth, dry workpiece surface - they do not include a safety factor
- Hose diameter: The recommended hose diameter refers to a hose length of approx. 2 m

Spare Parts



VRS-S G1/4-AG

Part no. 10.08.06.00048

Sealing screw without collar

Thread 1: G1/4-M

Material: Brass

Surface: nickel plated



DR-SPK 250 MOS EPDM-15

Part no. 10.01.01.12077

Sealing ring for suction plate SPK

Size: 250

Material-Type: Foam rubber

Sealing material: EPDM

Material hardness: 15 °Sh

Colour: black

Accessories



TV G1/2-AG 13

Part no. 10.05.10.00038

Touch valve for deactivation of unused suction cups or vacuum blocks

Thread G1: G1/2-M

Spring stroke Z: 13 mm



SU 280

Part no. 10.01.01.12485

Cover for suction cup

Size: 280

Clamping range: 270.0 ... 300.0 mm

Temperature resistance: 80 °C