

Suction plate (round)

SPK 160 MOS EPDM-15 G1/2-IG

<https://www.schmalz.com/10.01.01.12063>



Part no.: 10.01.01.12063

Homepage > Vacuum Technology for Automation > Vacuum Components > Vacuum Suction Cups > Flat Suction Cups (Round) > Suction Plates

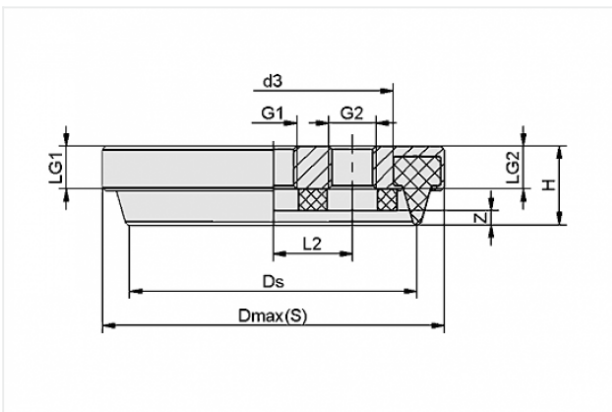
SPK > SPK 160 MOS EPDM-15 G1/2-IG

Suction plate (round) for rough and structured surfaces



Size: 160
Material-Type: Foam rubber
Sealing material: EPDM
Material hardness: 15 °Sh
Vacuum connection: G1/2"-F
Colour: black

Design Data



Attribute	Value
-----------	-------

d3	148 mm
----	--------

Dmax(S)	179 mm
---------	--------

Ds	159 mm
----	--------

G1	G1/2"-F
----	---------

G2	G1/4"-F
----	---------

H	25.5 mm
---	---------

L2	36.5 mm
----	---------

LG1	14.5 mm
-----	---------

LG2	14.5 mm
-----	---------

Z	6 mm
---	------

Contact to Schmalz

J. Schmalz GmbH | Johannes-Schmalz-Straße, 72293 Glatten, Deutschland | +49 7443 2403-102 | customercenter@schmalz.de

Technical Data

Attribute	Value
Suction force	1060 N
Volume	129 cm ³
Curve radius (min) (convex)	1000 mm
Internal hose diameter (recom.)	12 mm
Size	160
Material hardness	15 °Sh
Weight	940 g
Number of folds	0

Note:

- Suction force: The specified suction forces are theoretical values at a vacuum of -0.6 bar and with a smooth, dry workpiece surface - they do not include a safety factor
- Hose diameter: The recommended hose diameter refers to a hose length of approx. 2 m

Spare Parts



VRS-S G1/4-AG

Part no. 10.08.06.00048

Sealing screw without collar

Thread 1: G1/4-M

Material: Brass

Surface: nickel plated



DR-SPK 160 MOS EPDM-15

Part no. 10.01.01.12075

Sealing ring for suction plate SPK

Size: 160

Material-Type: Foam rubber

Sealing material: EPDM

Material hardness: 15 °Sh

Colour: black

Accessories



TV G1/4-AG 13

Part no. 10.05.10.00061

Touch valve for deactivation of unused suction cups or vacuum blocks

Thread G1: G1/4-M

Spring stroke Z: 13 mm



SU 210

Part no. 10.01.01.12439

Cover for suction cup

Size: 210

Clamping range: 210.0 ... 220.0 mm

Temperature resistance: 80 °C