

Suction plate (round)

<https://www.schmalz.com/10.01.01.12062>



SPK 110 MOS EPDM-15
G1/2-IG

Part no.: 10.01.01.12062

Homepage > Vacuum Technology for Automation > Vacuum Components > Vacuum Suction Cups > Flat Suction Cups (Round) > Suction Plates

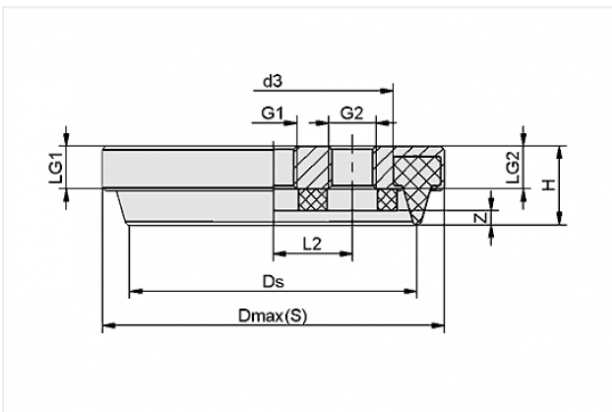
SPK > SPK 110 MOS EPDM-15 G1/2-IG

Suction plate (round) for rough and structured surfaces



Size: 110
Material-Type: Foam rubber
Sealing material: EPDM
Material hardness: 15 °Sh
Vacuum connection: G1/2"-F
Colour: black

Design Data



Attribute	Value
-----------	-------

d3	96 mm
----	-------

Dmax(S)	130 mm
---------	--------

Ds	110 mm
----	--------

G1	G1/2"-F
----	---------

G2	G1/4"-F
----	---------

H	25.5 mm
---	---------

L2	36.5 mm
----	---------

LG1	14.5 mm
-----	---------

LG2	14.5 mm
-----	---------

Z	6 mm
---	------

Contact to Schmalz

J. Schmalz GmbH | Johannes-Schmalz-Straße, 72293 Glatten, Deutschland | +49 7443 2403-102 | customercenter@schmalz.de

Technical Data

Attribute	Value
Suction force	471 N
Volume	67.4 cm ³
Curve radius (min) (convex)	500 mm
Internal hose diameter (recom.)	12 mm
Size	110
Material hardness	15 °Sh
Weight	465 g
Number of folds	0

Note:

- Suction force: The specified suction forces are theoretical values at a vacuum of -0.6 bar and with a smooth, dry workpiece surface - they do not include a safety factor
- Hose diameter: The recommended hose diameter refers to a hose length of approx. 2 m

Spare Parts



VRS-S G1/4-AG

Part no. 10.08.06.00048

Sealing screw without collar

Thread 1: G1/4-M

Material: Brass

Surface: nickel plated



DR-SPK 110 MOS EPDM-15

Part no. 10.01.01.12074

Sealing ring for suction plate SPK

Size: 110

Material-Type: Foam rubber

Sealing material: EPDM

Material hardness: 15 °Sh

Colour: black

Accessories



TV G1/4-AG 13

Part no. 10.05.10.00061

Touch valve for deactivation of unused suction cups or vacuum blocks

Thread G1: G1/4-M

Spring stroke Z: 13 mm



SU 160

Part no. 10.01.01.12438

Cover for suction cup

Size: 160

Clamping range: 150.0 ... 180.0 mm

Temperature resistance: 80 °C