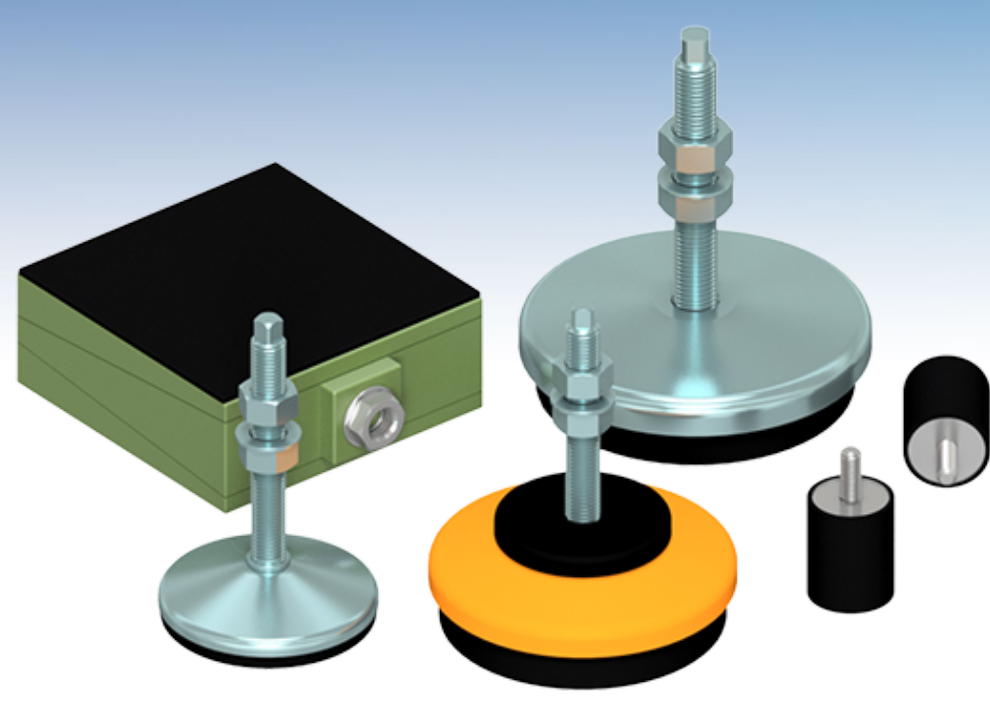


Adjustable sliding wedge

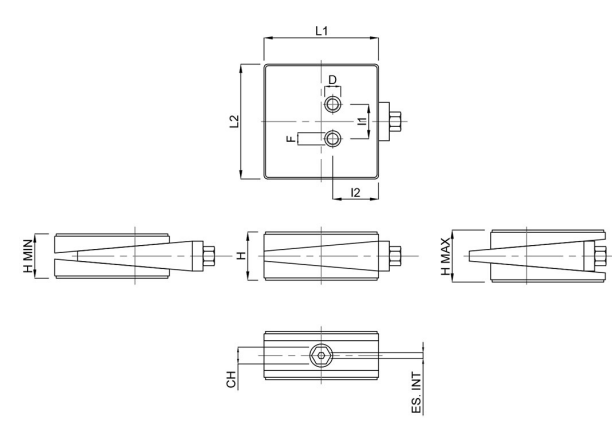
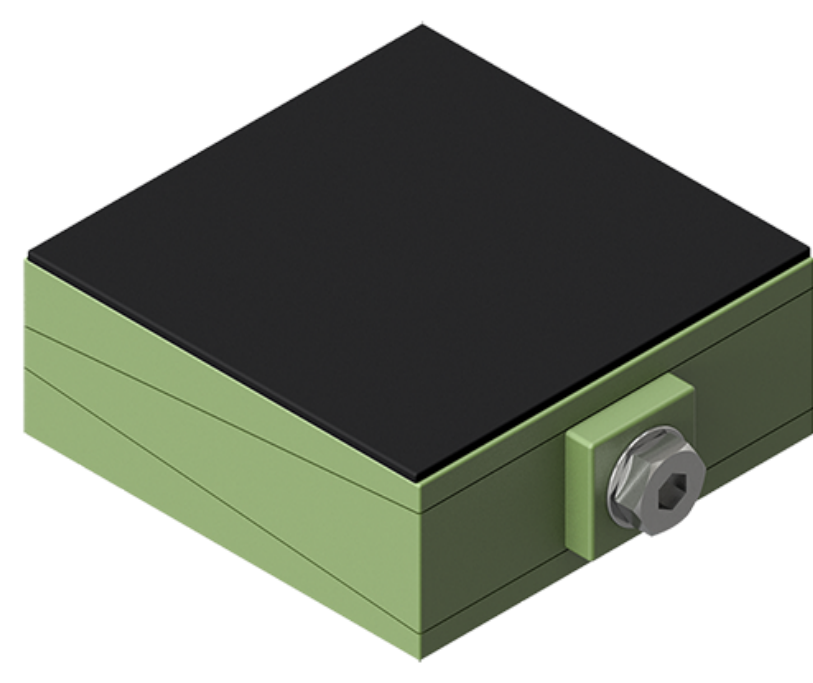
ANTI-VIBRATION LINE



Anti-vibration wedge mount for heavy duties

360° Inox solutions

ADJUSTABLE SLIDING WEDGE



CODE	SIZE (F)	BASE SIZE (D)	TOTAL HEIGHT	REGULATION (SW)	LOAD (Newton)	RUBBER
14040	M16x2	150	58/63/68	HEX 22 or INT. HEX 8	30000	FDA Black NBR 70 Shore
14045	M16x2	200	63/68/73	HEX 24 or INT. HEX 10	50000	FDA Black NBR 70 Shore

[PDF](#)



MARTIN S.P.A.

Via Cave 1, 25050
 Provaglio d'Iseo (Bs) - ITALY
 C.F. & P. IVA 03836170989

Soggetta a direzione e coordinamento da parte di HOLDING MARTINELLI S.R.L. ai sensi dell'art. 2497-bis del C.C.

CONTACTS

- [Italy Contacts](#)
- [Foreign Contacts](#)
- [Privacy Policy](#)

CERTIFICATIONS

