

# Suction plate (round)

## SPK 80 MOS EPDM-15 G1/4-IG

<https://www.schmalz.com/10.01.01.12061>



Part no.: 10.01.01.12061

Homepage > Vacuum Technology for Automation > Vacuum Components > Vacuum Suction Cups > Flat Suction Cups (Round) > Suction Plates

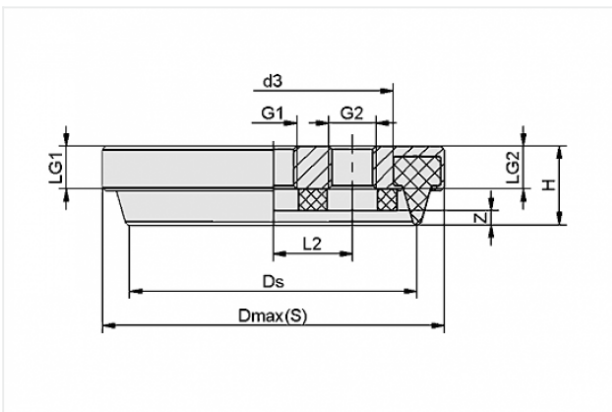
SPK > SPK 80 MOS EPDM-15 G1/4-IG

## Suction plate (round) for rough and structured surfaces



Size: 80  
Material-Type: Foam rubber  
Sealing material: EPDM  
Material hardness: 15 °Sh  
Vacuum connection: G1/4-F  
Colour: black

## Design Data



Attribute	Value
-----------	-------

d3	66.8 mm
----	---------

Dmax(S)	95.2 mm
---------	---------

Ds	80 mm
----	-------

G1	G1/4"-F
----	---------

G2	G1/4"-F
----	---------

H	22 mm
---	-------

L2	22 mm
----	-------

LG1	11.5 mm
-----	---------

LG2	11.5 mm
-----	---------

Z	4 mm
---	------

## Contact to Schmalz

J. Schmalz GmbH | Johannes-Schmalz-Straße, 72293 Glatten, Deutschland | +49 7443 2403-102 | [customercenter@schmalz.de](mailto:customercenter@schmalz.de)

## Technical Data

Attribute	Value
Suction force	256 N
Volume	21.3 cm <sup>3</sup>
Curve radius (min) (convex)	400 mm
Internal hose diameter (recom.)	9 mm
Size	80
Material hardness	15 °Sh
Weight	227 g
Number of folds	0

### Note:

- Suction force: The specified suction forces are theoretical values at a vacuum of -0.6 bar and with a smooth, dry workpiece surface - they do not include a safety factor
- Hose diameter: The recommended hose diameter refers to a hose length of approx. 2 m

## Spare Parts



### VRS-S G1/4-AG

Part no. 10.08.06.00048

Sealing screw without collar

Thread 1: G1/4-M

Material: Brass

Surface: nickel plated



**DR-SPK 80 MOS EPDM-15**

Part no. 10.01.01.12073

Sealing ring for suction plate SPK

Size: 80

Material-Type: Foam rubber

Sealing material: EPDM

Material hardness: 15 °Sh

Colour: black

**Accessories**



**TV G1/4-AG 13**

Part no. 10.05.10.00061

Touch valve for deactivation of unused suction cups or vacuum blocks

Thread G1: G1/4-M

Spring stroke Z: 13 mm



**SU 100**

Part no. 10.01.01.12840

Cover for suction cup

Size: 100

Clamping range: 110.0 ... 115.0 mm

Temperature resistance: 80 °C