

Suction plate (round)

SPK 55 MOS EPDM-15 G1/4-IG

<https://www.schmalz.com/10.01.01.12060>



Part no.: 10.01.01.12060

Homepage > Vacuum Technology for Automation > Vacuum Components > Vacuum Suction Cups > Flat Suction Cups (Round) > Suction Plates

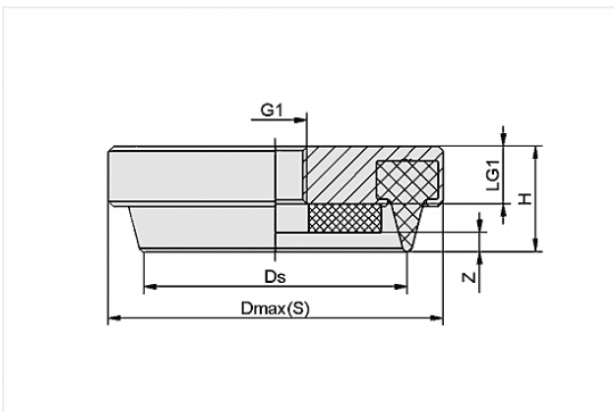
SPK > SPK 55 MOS EPDM-15 G1/4-IG

Suction plate (round) for rough and structured surfaces



Size: 55
Material-Type: Foam rubber
Sealing material: EPDM
Material hardness: 15 °Sh
Vacuum connection: G1/4-F
Colour: black

Design Data



Attribute	Value
-----------	-------

Dmax(S)	70 mm
---------	-------

Ds	55 mm
----	-------

G1	G1/4"-F
----	---------

H	22 mm
---	-------

LG1	11.5 mm
-----	---------

Z	4 mm
---	------

Technical Data

Attribute	Value
-----------	-------

Suction force	121 N
---------------	-------

Volume	11.7 cm ³
--------	----------------------

Contact to Schmalz

J. Schmalz GmbH | Johannes-Schmalz-Straße, 72293 Glatten, Deutschland | +49 7443 2403-102 | customercenter@schmalz.de

Attribute	Value
Curve radius (min) (convex)	250 mm
Internal hose diameter (recom.)	9 mm
Size	55
Material hardness	15 °Sh
Weight	115 g
Number of folds	0

Note:

- Suction force: The specified suction forces are theoretical values at a vacuum of -0.6 bar and with a smooth, dry workpiece surface - they do not include a safety factor
- Hose diameter: The recommended hose diameter refers to a hose length of approx. 2 m

Spare Parts**DR-SPK 55 MOS EPDM-15**

Part no. 10.01.01.12072

Sealing ring for suction plate SPK

Size: 55

Material-Type: Foam rubber

Sealing material: EPDM

Material hardness: 15 °Sh

Colour: black

Accessories**Contact to Schmalz**

**SU 70**

Part no. 10.01.01.12838

Cover for suction cup

Size: 70

Clamping range: 65.0 ... 80.0 mm

Temperature resistance: 80 °C