

# Sealing ring for SPU suction plate

<https://www.schmalz.com/10.01.01.01136>



## DR-SPU 400 NBR-55

Part no.: 10.01.01.01136

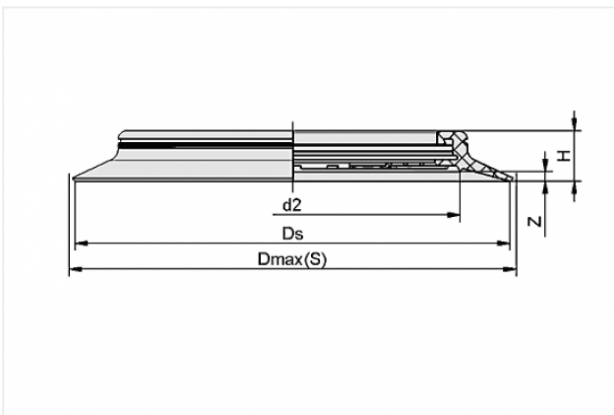
Homepage > Vacuum Technology for Automation > Vacuum Components > Vacuum Suction Cups > Flat Suction Cups (Round) > DR-SPU 400 NBR-55

## Sealing ring for suction plate SPU



Size: 400  
Suction cup material:  
Nitrile rubber NBR  
Material hardness: 55 °Sh

## Design Data



Attribute	Value
-----------	-------

d2	349.2 mm
----	----------

Ds	400 mm
----	--------

Dmax(S)	402.4 mm
---------	----------

H	28 mm
---	-------

Z	4.5 mm
---	--------

## Technical Data

Attribute	Value
Size	400
Material hardness	55 °Sh

## Contact to Schmalz

J. Schmalz GmbH | Johannes-Schmalz-Straße, 72293 Glatten, Deutschland | +49 7443 2403-102 | [customercenter@schmalz.de](mailto:customercenter@schmalz.de)



Attribute	Value
Suction cup material	Nitrile rubber NBR
Weight	1051 g
<hr/>	
<hr/>	