

Suction plate (round)

SPU 400 NBR-55 G1/2-IG

Part no.: 10.01.01.01138

<https://www.schmalz.com/10.01.01.01138>



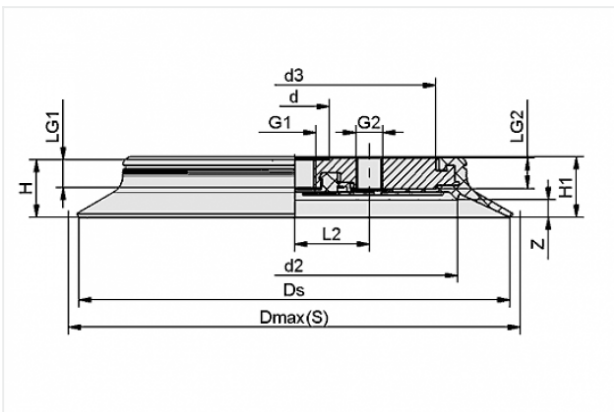
Homepage > Vacuum Technology for Automation > Vacuum Components > Vacuum Suction Cups > SPU 400 NBR-55 G1/2-IG

Suction plate (round), universal, for smooth and slightly rough surfaces



Size: 400
Suction cup material:
Nitrile rubber NBR
Material hardness: 55 °Sh
Vacuum connection: G1/2-F

Design Data



Attribute	Value
d2	349 mm
d3	315 mm
Dmax(S)	430 mm
Ds	400 mm
G1	G1/2"-F
G2	G1/2"-F
H	28.5 mm
H1	29 mm
L2	86 mm
LG1	15.5 mm
LG2	17 mm
Z	6 mm

Contact to Schmalz

J. Schmalz GmbH | Johannes-Schmalz-Straße, 72293 Glatten, Deutschland | +49 7443 2403-102 | customercenter@schmalz.de

Technical Data

Attribute	Value
Suction force	6780 N
Suction force d2	5870 N
Volume	890 cm ³
Curve radius (min) (convex)	6500 mm
Internal hose diameter (recom.)	12 mm
Size	400
Suction cup material	Nitrile rubber NBR
Material hardness	55 °Sh
Weight	3900 g
Number of folds	0

Spare Parts



DR-SPU 400 NBR-55

Part no. 10.01.01.01136

Sealing ring for suction plate SPU

Size: 400

Suction cup material:

Nitrile rubber NBR

Material hardness: 55 °Sh