

Sealing ring for SPU suction plate

<https://www.schmalz.com/10.01.01.10584>



DR-SPU 360 NBR-55 B

Part no.: 10.01.01.10584

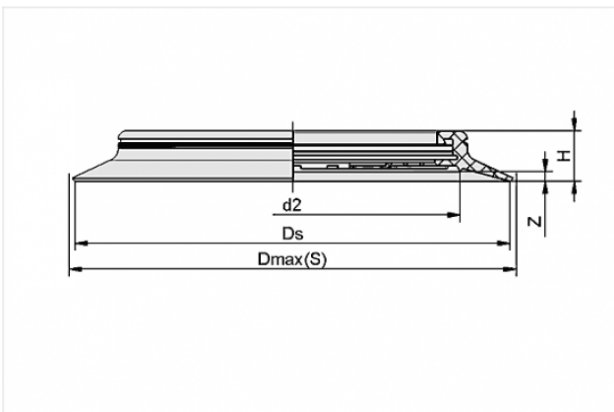
Homepage > Vacuum Technology for Automation > Vacuum Components > Vacuum Suction Cups > Flat Suction Cups (Round) > DR-SPU 360 NBR-55 B

Sealing ring for suction plate SPU



Size: 360
Suction cup material:
Nitrile rubber NBR
Material hardness: 55 °Sh
Additional feature:
Sealing lip for metal sheets

Design Data



Attribute	Value
-----------	-------

d2	309 mm
----	--------

Ds	360 mm
----	--------

Dmax(S)	363.3 mm
---------	----------

H	35 mm
---	-------

Z	10.5 mm
---	---------

Technical Data

Attribute	Value
-----------	-------

Size	360
------	-----

Material hardness	55 °Sh
-------------------	--------

Contact to Schmalz

J. Schmalz GmbH | Johannes-Schmalz-Straße, 72293 Glatten, Deutschland | +49 7443 2403-102 | customercenter@schmalz.de



Attribute	Value
Suction cup material	Nitrile rubber NBR
Weight	880.5 g
<hr/>	
<hr/>	