

# Sealing ring for SPU suction plate

DR-SPU 300 SI-55

Part no.: 10.01.01.01132

<https://www.schmalz.com/10.01.01.01132>



Homepage > Vacuum Technology for Automation > Vacuum Components > Vacuum Suction Cups > Flat Suction Cups (Round) > DR-SPU 300

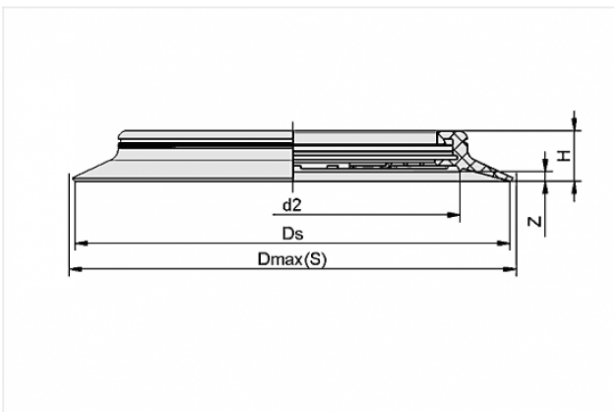
SI-55

## Sealing ring for suction plate SPU



Size: 300  
Suction cup material: Silicone SI  
Material hardness: 55 °Sh

## Design Data



Attribute	Value
-----------	-------

d2	249.2 mm
----	----------

Ds	300 mm
----	--------

Dmax(S)	302.4 mm
---------	----------

H	25.5 mm
---	---------

Z	4.5 mm
---	--------

## Technical Data

Attribute	Value
Size	300
Material hardness	55 °Sh

### Contact to Schmalz

J. Schmalz GmbH | Johannes-Schmalz-Straße, 72293 Glatten, Deutschland | +49 7443 2403-102 | [customercenter@schmalz.de](mailto:customercenter@schmalz.de)



Attribute	Value
Suction cup material	Silicone SI
Weight	398.5 g

---

---